

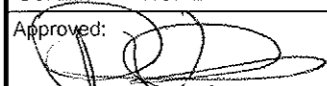
NO.	ITEM DESCRIPTION	QTY.
1	SERVICE SADDLE	1
2	2" X 4" BRASS NIPPLE, THREADED	3
3	2" GATE VALVE, THREADED	3
4	2" BRASS ADAPTER, MIP X COMPRESSION	1
5	2" CTS POLYETHYLENE TUBING, CLASS 200, SDR 9 (NO COUPLINGS)	1
6	2" BRASS ELL, COMP. X THREAD	1
7	2" BRASS PIPE, THREADED (LENGTH AS NECESSARY)	1
8	2" BRASS STREET ELL. (STANDARD ELL. FOR NO BYPASS)	1
9	2" X 1" BRASS TEE	2
10	2" X 24" BRASS PIPE, THREADED	1
11	2" - 2 BOLT THREADED METER FLANGE	1
12	2" PLATE STRAINER	1
13	2" COMPOUND METER W/ 2 TRANSMITTING REGISTERS AND 2 ERTS	1
14	2" FLEXIBLE METER COUPLING	1
15	2" BRASS PIPE, THREAD X PE (24" MIN. LENGTH)	1
16	1" X 8" BRASS NIPPLE, THREADED	2
17	1" BRASS ELL, THREADED	2
18	1" BRASS PIPE, THREADED (LENGTH AS NECESSARY)	1
19	1" BRASS BALL VALVE WITH STOPS AND LOCKWINGS	1
20	1" BRASS PIPE, THREADED X PE (LENGTH AS NECESSARY)	2
21	1" 2-BOLT DRESSER	1

**NOTES:**

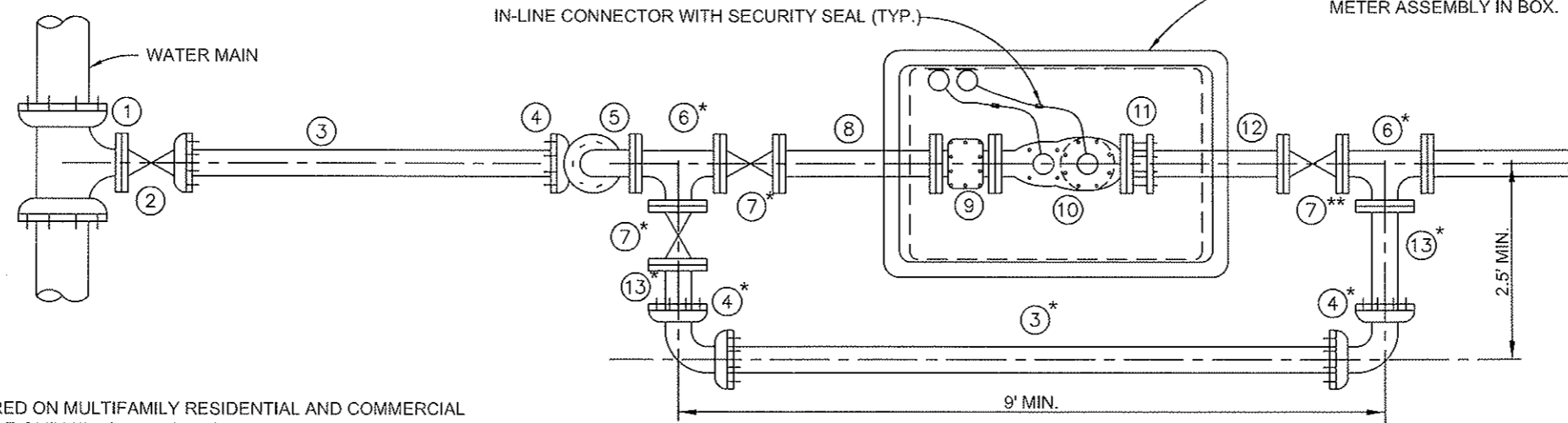
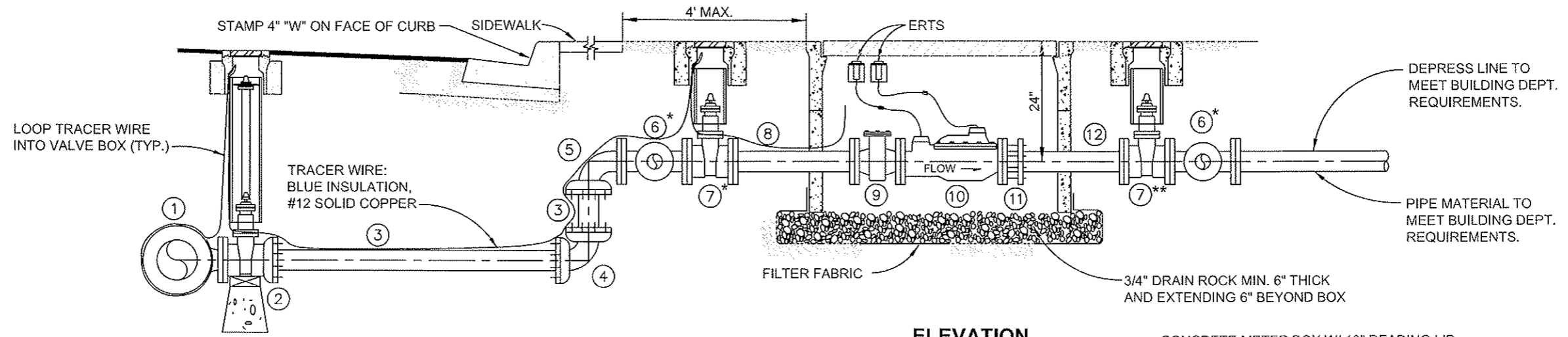
1. BYPASS PIPING SHALL BE REQUIRED ON MULTIFAMILY RESIDENTIAL AND COMMERCIAL SERVICES. BYPASS PIPING MAY BE OMITTED ON ALL IRRIGATION SERVICES. WITH APPROVAL OF THE CITY ENGINEER, BYPASS PIPING MAY BE OMITTED ON COMMERCIAL SERVICES SERVING OFFICE OR RETAIL SPACE WITH SEPARATE FIRE SERVICES OR WHERE MULTIPLE DOMESTIC WATER SERVICES SERVE THE PROPERTY.
2. SET METER BOX COVER FLUSH WITH FINISHED SURFACE. THE ADDRESS MUST BE CLEARLY MARKED ON TOP OF METER BOX WITH PERMANENT MARKER BEFORE THE CITY WILL ACTIVATE SERVICE.
3. METER ASSEMBLY SHALL BE FURNISHED AND INSTALLED BY CONTRACTOR. PROVIDE ERTS AND TRANSMITTING REGISTERS WITH 5 FT. LEADS.
4. REFER TO CITY STANDARD 877 FOR GATE VALVE INSTALLATION DETAILS. VALVES MAY BE INSTALLED IN SIDEWALK WHERE SPACE LIMITATIONS EXIST.
5. REFER TO CITY WATER STANDARDS FOR CONSTRUCTION STANDARDS, SPECIFICATIONS AND ENGINEER'S LIST OF APPROVED MATERIALS.
6. PIPE OPENINGS IN METER BOX SHALL BE CUT - DO NOT USE HAMMER. PRIOR TO BACKFILLING, PIPE OPENINGS AND BOX JOINTS SHALL BE GROUTED.
7. CONNECT SERVICE TRACER WIRE TO THE TRACER WIRE ON THE MAIN. IN ABSENCE OF MAIN TRACER WIRE, WRAP SERVICE TRACER WIRE AROUND THE MAIN. RUN CONTINUOUS FROM MAIN TO METER BOX WITH LOOPS INTO EACH VALVE BOX.
8. ERTS TO BE MOUNTED IN APPROVED BRACKET ATTACHED TO BOX W/SS ANCHORS. THE TOP OF ERTS SHALL BE NO MORE THAN 3-1/4" BELOW TOP OF BOX.

9. NO FENCING SHALL BE INSTALLED BETWEEN STREET AND METER BOX.
10. ALL COMPRESSION FITTINGS SHALL HAVE STAINLESS STEEL INSERTS.

\* = OMIT WHEN BYPASS IS NOT REQUIRED.  
 \*\* = OMIT WHEN BACKFLOW DEVICE IS INSTALLED DOWNSTREAM AND BYPASS IS NOT REQUIRED

<b>CITY OF ROHNERT PARK</b>	
<b>2" COMMERCIAL WATER SERVICE</b>	
SCALE: NONE	DATE: OCTOBER 2010
Approved: 	STD. - 865B



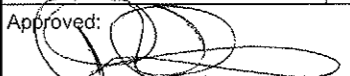


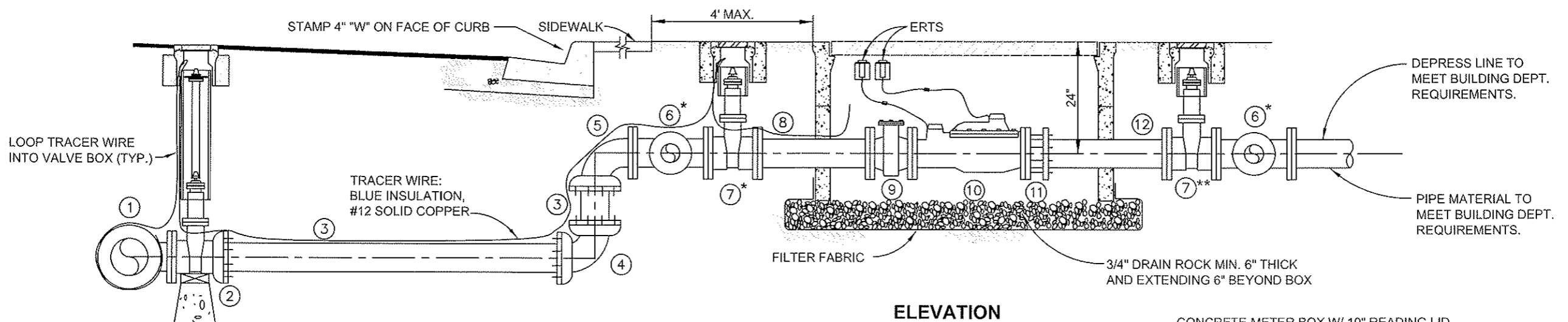
**NOTES:**

1. BYPASS PIPING SHALL BE REQUIRED ON MULTIFAMILY RESIDENTIAL AND COMMERCIAL SERVICES. BYPASS PIPING MAY BE OMITTED ON ALL IRRIGATION SERVICES. WITH APPROVAL OF THE CITY ENGINEER, BYPASS PIPING MAY BE OMITTED ON COMMERCIAL SERVICES SERVING OFFICE OR RETAIL SPACE WITH SEPARATE FIRE SERVICES OR WHERE MULTIPLE DOMESTIC WATER SERVICES SERVE THE PROPERTY.
2. SET METER BOX COVER FLUSH WITH FINISHED SURFACE. THE ADDRESS MUST BE CLEARLY MARKED ON TOP OF METER BOX WITH PERMANENT MARKER BEFORE THE CITY WILL ACTIVATE SERVICE.
3. METER ASSEMBLY SHALL BE FURNISHED AND INSTALLED BY CONTRACTOR. PROVIDE ERTS AND TRANSMITTING REGISTERS WITH 5 FT. LEADS.
4. REFER TO CITY STANDARD 877 FOR GATE VALVE INSTALLATION DETAILS. VALVES MAY BE INSTALLED IN SIDEWALK WHERE SPACE LIMITATIONS EXIST.
5. REFER TO CITY WATER STANDARDS FOR CONSTRUCTION STANDARDS, SPECIFICATIONS AND ENGINEER'S LIST OF APPROVED MATERIALS.
6. PIPE OPENINGS IN METER BOX SHALL BE CUT - DO NOT USE HAMMER. PRIOR TO BACKFILLING, PIPE OPENINGS AND BOX JOINTS SHALL BE GROUTED.
7. CONNECT SERVICE TRACER WIRE TO THE TRACER WIRE ON THE MAIN. IN ABSENCE OF MAIN TRACER WIRE, WRAP SERVICE TRACER WIRE AROUND THE MAIN. RUN CONTINUOUS FROM MAIN TO METER BOX WITH LOOPS INTO EACH VALVE BOX.
8. ERTS TO BE MOUNTED IN APPROVED BRACKET ATTACHED TO BOX W/SS ANCHORS. THE TOP OF ERTS SHALL BE NO MORE THAN 3-1/4" BELOW TOP OF BOX.
9. NO FENCING SHALL BE INSTALLED BETWEEN STREET AND METER BOX.

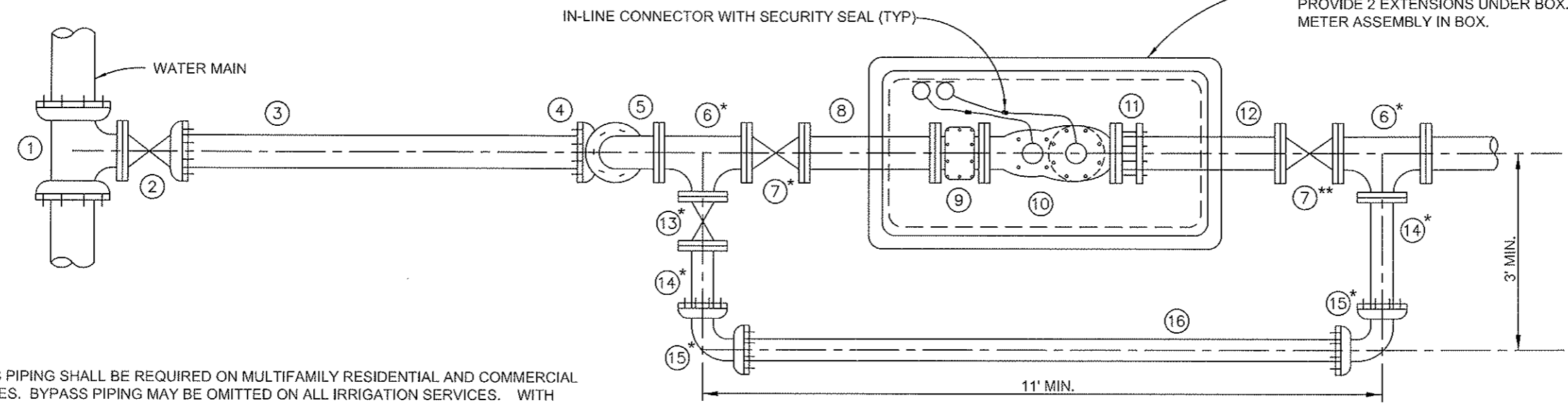
\* = OMIT WHEN BYPASS IS NOT REQUIRED.  
 \*\* = OMIT WHEN BACKFLOW DEVICE IS INSTALLED DOWNSTREAM AND BYPASS IS NOT REQUIRED

NO.	ITEM DESCRIPTION	QTY.
1	TEE OR TAPPING TEE W/ 4" FLANGED OUTLET	1
2	4" GATE VALVE, FLG X MJ W/ MEGA-LUG RETAINER GLAND	1
3	4" DIP, PE (LENGTH AS REQUIRED, INTERMEDIATE JOINTS RESTRAINED)	2
4	4" 90° ELL, MJ W/ MEGA-LUG RETAINER GLANDS	3
5	4" 90° ELL, MJ W/ MEGA-LUG RETAINER GLAND X FLG	1
6	4" TEE, FLG	2
7	4" GATE VALVE, FLG	3
8	4" DIP SPOOL, FLG (24" MIN. LENGTH)	1
9	4" PLATE STRAINER	1
10	4" COMPOUND METER W/ 2 TRANSMITTING REGISTERS AND 2 ERTS	1
11	4" FCA	1
12	4" DIP, FLG X PE (24" MIN. LENGTH)	1
13	4" DIP, FLG X PE	2

<b>CITY OF ROHNERT PARK</b>	
<b>4" COMMERCIAL WATER SERVICE</b>	
SCALE: NONE	DATE: OCTOBER 2010
Approved: 	STD. - 867



**ELEVATION**



**PLAN**

**NOTES:**

1. BYPASS PIPING SHALL BE REQUIRED ON MULTIFAMILY RESIDENTIAL AND COMMERCIAL SERVICES. BYPASS PIPING MAY BE OMITTED ON ALL IRRIGATION SERVICES. WITH APPROVAL OF THE CITY ENGINEER, BYPASS PIPING MAY BE OMITTED ON COMMERCIAL SERVICES SERVING OFFICE OR RETAIL SPACE WITH SEPARATE FIRE SERVICES OR WHERE MULTIPLE DOMESTIC WATER SERVICES SERVE THE PROPERTY.
2. SET METER BOX COVER FLUSH WITH FINISHED SURFACE. THE ADDRESS MUST BE CLEARLY MARKED ON TOP OF METER BOX WITH PERMANENT MARKER BEFORE THE CITY WILL ACTIVATE SERVICE.
3. METER ASSEMBLY SHALL BE FURNISHED AND INSTALLED BY CONTRACTOR. PROVIDE ERTS AND TRANSMITTING REGISTERS WITH 5 FT. LEADS.
4. REFER TO CITY STANDARD 877 FOR GATE VALVE INSTALLATION DETAILS. VALVES MAY BE INSTALLED IN SIDEWALK WHERE SPACE LIMITATIONS EXIST.
5. REFER TO CITY WATER STANDARDS FOR CONSTRUCTION STANDARDS, SPECIFICATIONS AND ENGINEER'S LIST OF APPROVED MATERIALS.
6. PIPE OPENINGS IN METER BOX SHALL BE CUT - DO NOT USE HAMMER. PRIOR TO BACKFILLING, PIPE OPENINGS AND BOX JOINTS SHALL BE GROUTED.
7. CONNECT SERVICE TRACER WIRE TO THE TRACER WIRE ON THE MAIN. IN ABSENCE OF MAIN TRACER WIRE, WRAP SERVICE TRACER WIRE AROUND THE MAIN. RUN CONTINUOUS FROM MAIN TO METER BOX WITH LOOPS INTO EACH VALVE BOX.
8. ERTS TO BE MOUNTED IN APPROVED BRACKET ATTACHED TO BOX W/SS ANCHORS. THE TOP OF ERTS SHALL BE NO MORE THAN 3-1/4" BELOW TOP OF BOX.
9. NO FENCING SHALL BE INSTALLED BETWEEN STREET AND METER BOX.

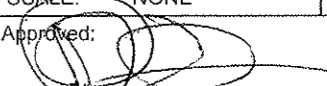
NO.	ITEM DESCRIPTION	QTY.
1	TEE OR TAPPING TEE W/ 6" FLANGED OUTLET	1
2	6" GATE VALVE, FLG X MJ W/ MEGA-LUG RETAINER GLAND	1
3	6" DIP, PE (LENGTH AS REQUIRED, INTERMEDIATE JOINTS RESTRAINED)	2
4	6" 90° ELL, MJ W/ MEGA-LUG RETAINER GLANDS	1
5	6" 90° ELL, MJ W/ MEGA-LUG RETAINER GLAND X FLG	1
6	6" X 4" TEE, FLG	1
7	6" GATE VALVE, FLG	2
8	6" DIP SPOOL, FLG (30" MIN. LENGTH)	1
9	6" PLATE STRAINER	1
10	6" COMPOUND METER W/ 2 TRANSMITTING REGISTERS AND 2 ERTS	1
11	6" FCA	1
12	6" DIP, FLG X PE (30" MIN. LENGTH)	1
13	4" GATE VALVE, FLG	1
14	4" DIP, FLG X PE (LENGTH AS REQUIRED)	2
15	4" 90° ELL, MJ W/ MEGA-LUG RETAINER GLANDS	2
16	4" DIP, PE (SINGLE PIECE, LENGTH AS REQUIRED)	1

\* = OMIT WHEN BYPASS IS NOT REQUIRED.  
 \*\* = OMIT WHEN BACKFLOW DEVICE IS INSTALLED DOWNSTREAM AND BYPASS IS NOT REQUIRED

**CITY OF ROHNERT PARK**

**6" COMMERCIAL WATER SERVICE**

SCALE: NONE      DATE: OCTOBER 2010

Approved:       STD. - 868