



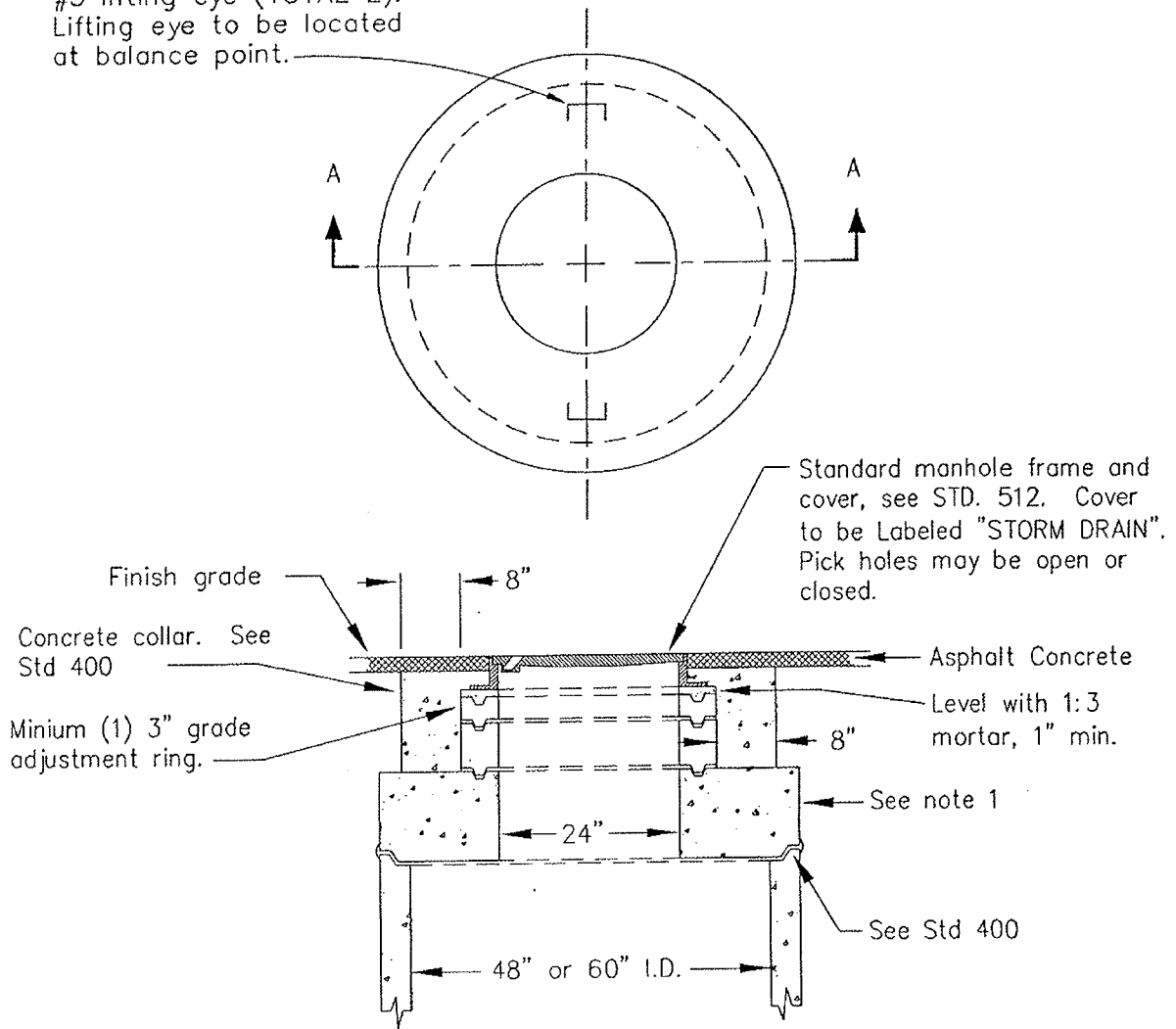
City of Rohnert Park

Storm Drain Detail Drawings

STORM DRAIN DETAIL DRAWINGS

<u>Standard Number</u>	<u>Title</u>	<u>Date Approved</u>
400 Series		
400	Standard Precast Concrete Storm Drain Manhole	2006
401	Precast Concrete Storm Drain Manhole Reducer Slabs	2006
402	Type II Catch Basin	2006
403	Type I Catch Basin	2014
404	Storm Drain Gallery	2014
405A	Precast Catch Basin Cover	2014
405B	Type I Catch Basin – Throat Opening Detail	2014
406A	3" Sidewalk Drain	2006
406B	3" x 12-1/2" Cast Iron Sidewalk Drain	2006
407	Loose Rock Rip-Rap Storm Drain Outlet	2006
408	Precast Side Opening Field Drain	2006
409	Storm Drain Labels	2014
410	Sidewalk Drain Catch Basin 12" x 12"	2014
411	Sidewalk Drain Catch Basin 16" x 16"	2014
412	Reinforced Concrete Pipe Collar	2014

#5 lifting eye (TOTAL 2).
Lifting eye to be located
at balance point.



SECTION A-A

NOTES:

1. Reducer slab shall be designed to withstand H2O loading and conform to ASTM C478.
2. All inside joints to be grouted smooth.
3. Class A concrete collar shall be poured to 2" below finished grade.
4. Reducers shall be concentric. Eccentric reducers can be used if it would place the opening in a more desirable location or improve access.

For detail and specifications of barrel section and base see City of Rohnert Park Std. 400.

APPROVED 48" and 60" MANHOLE REDUCER SLAB
See Engineer's approved list

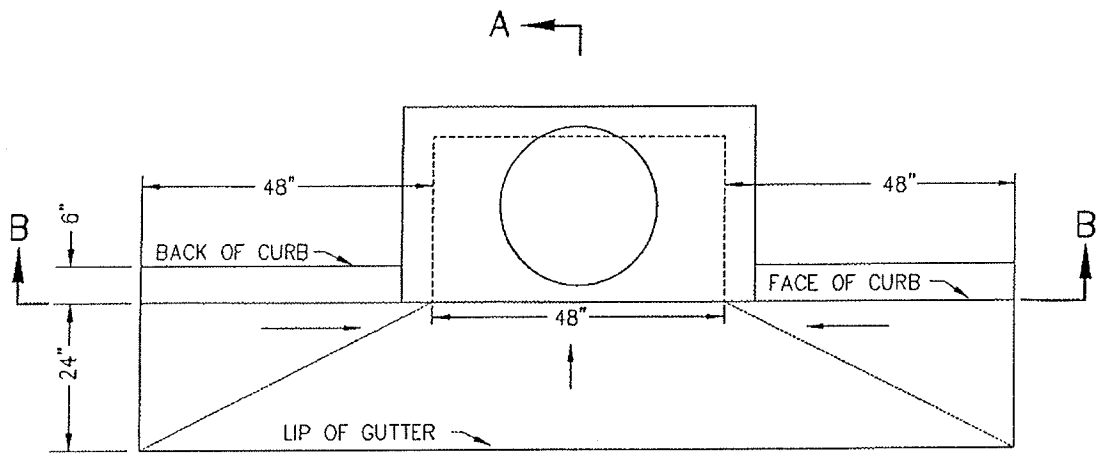
CITY OF ROHNERT PARK

**PRECAST CONCRETE STORM DRAIN
MANHOLE REDUCER SLABS**

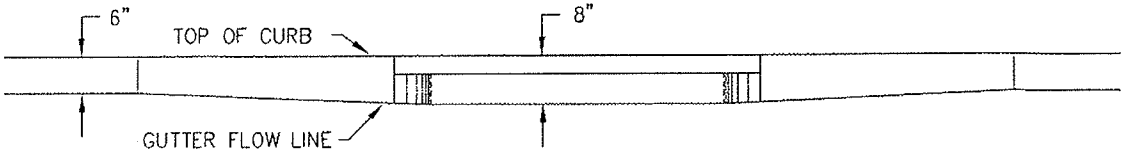
SCALE: NONE DATE: JANUARY 2006

Approved:
Dampfman

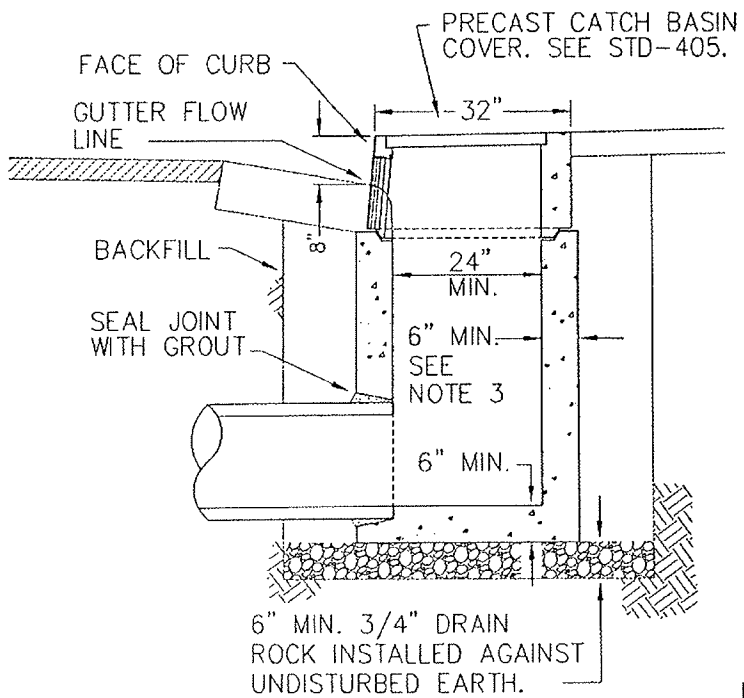
STD. - 401



PLAN



SECTION B-B



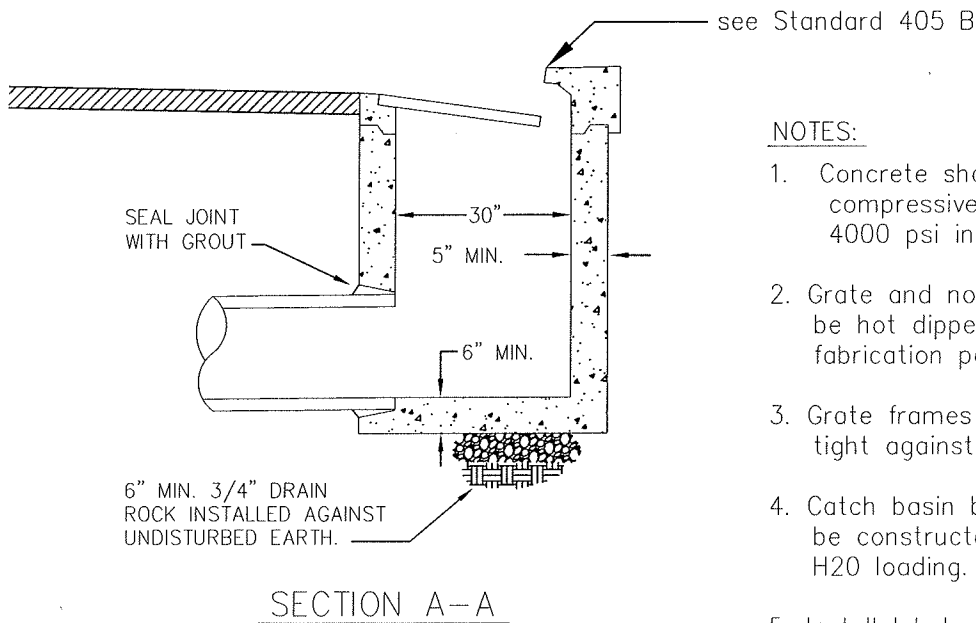
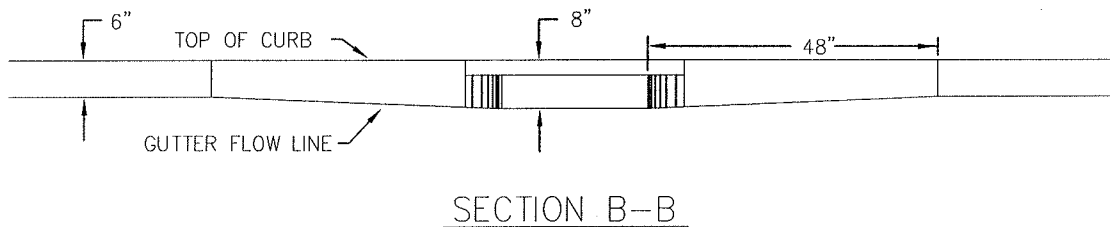
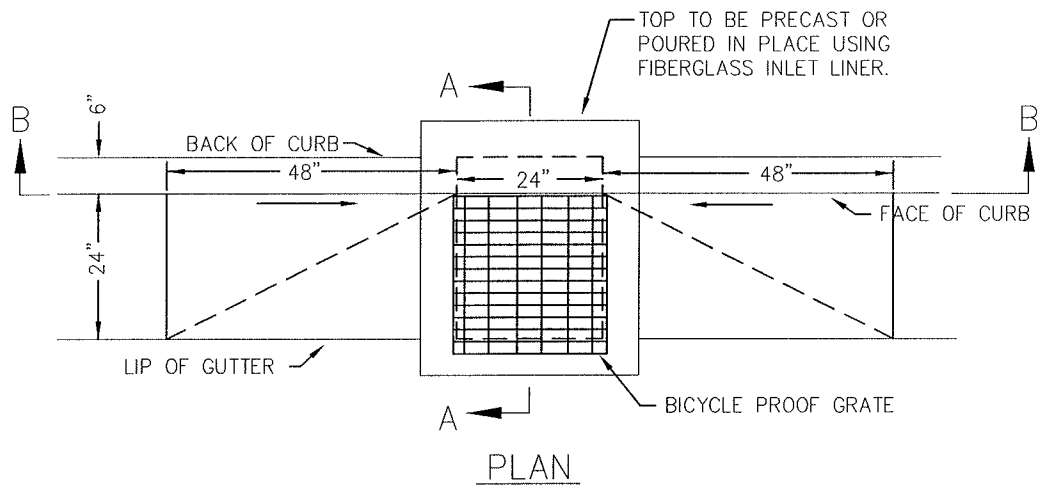
SECTION A-A

APPROVED TYPE II CATCH BASINS
See Engineer's approved list

NOTES:

1. Catch basin box shall be constructed to withstand H20 loading.
2. Concrete shall have a compressive strength of 4000 psi in 28 days.
3. Wall thickness shall be 6" unless depth is greater than 8', then wall thickness shall be 8".
4. Install label per City Std 409.

CITY OF ROHNERT PARK	
TYPE II CATCH BASIN	
SCALE: NONE	DATE: JANUARY 2006
Approved: <i>David Johnson</i>	STD. - 402



NOTES:

1. Concrete shall have a compressive strength of 4000 psi in 28 days.
2. Grate and nosing angle shall be hot dipped galvanized after fabrication per ASTM A-123.
3. Grate frames shall be installed tight against gutter flowline.
4. Catch basin box and grate shall be constructed to withstand H2O loading.
5. Install label per City Std 409.

ONLY TO BE USED WHERE SPECIFICALLY APPROVED BY VARIANCE.

APPROVED TYPE I CATCH BASINS
See Engineer's approved list

CITY OF ROHNERT PARK

TYPE I CATCH BASIN

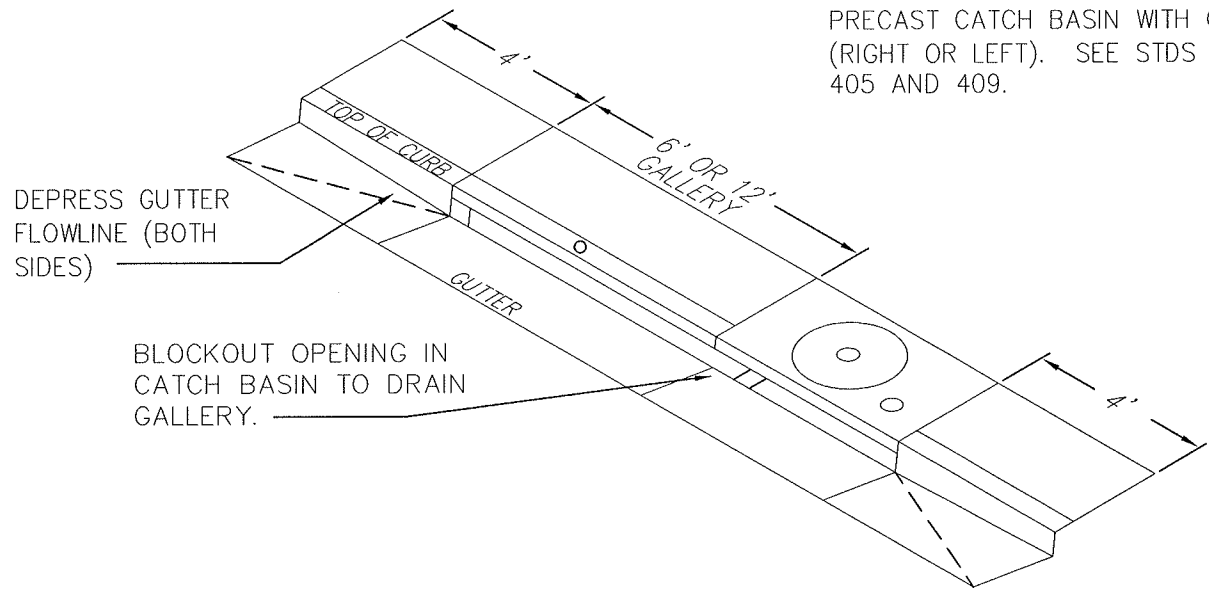
SCALE: NONE

DATE: MARCH 2014

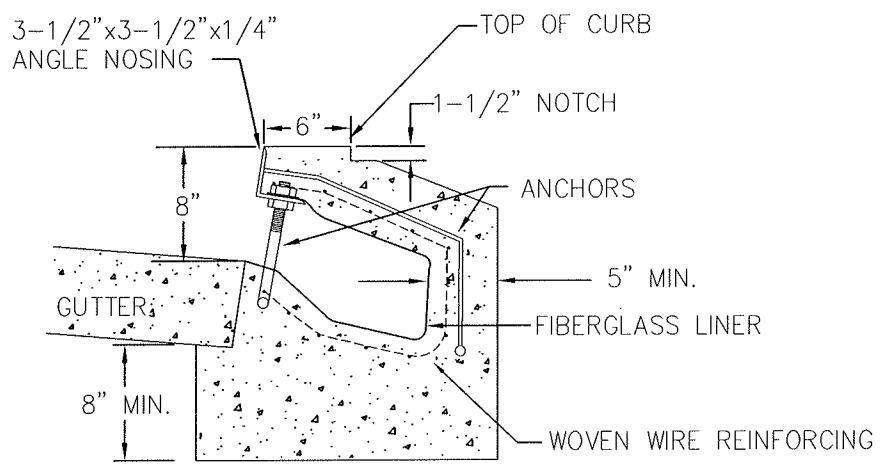
Approved:

STD. - 403

PRECAST CATCH BASIN WITH GALLERY
(RIGHT OR LEFT). SEE STDS 402,
405 AND 409.



ISOMETRIC VIEW

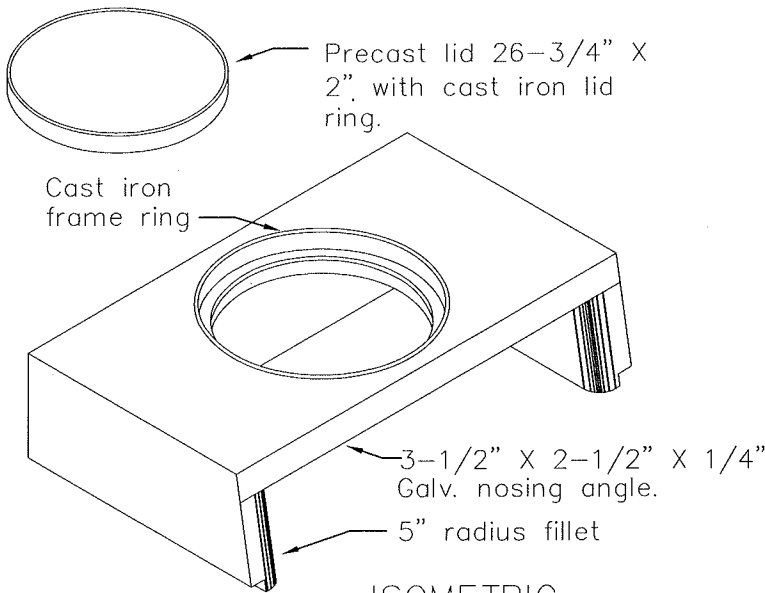


TYPICAL SECTION INSTALLED

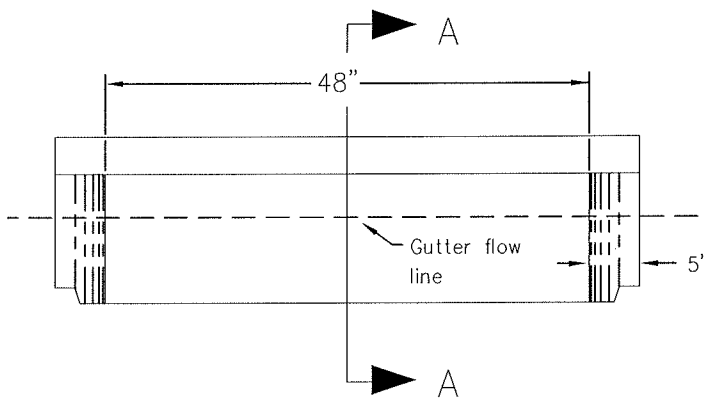
- NOTES:
1. Nosing assembly shall be hot dipped galvanized after fabrication per ASTM A-123
 2. Concrete shall have compressive strength 4000 psi, at 28 days and meet Caltrans specifications.
 3. Install label per City Std 409.

APPROVED STORM DRAIN GALLERY FORM
See Engineer's approved list

CITY OF ROHNERT PARK	
STORM DRAIN GALLERY	
SCALE: NONE	DATE: MARCH 2014
Approved: <i>[Signature]</i>	STD. - 404

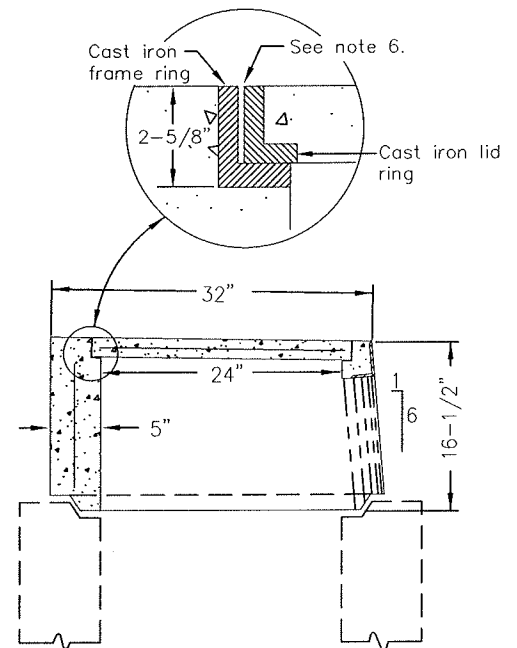


ISOMETRIC



ELEVATION

- NOTES:
1. Concrete shall have a compressive strength of 4000 PSI at 28 days.
 2. Nosing angle shall be galvanized in accordance with ASTM specification A-123.
 3. Exposed concrete surface shall have broom finish.
 4. Cast iron shall conform to ASTM 48-30.
 5. Apply label per City Std 409.
 6. Frame ring inside diameter to be 5/16" to 3/8" greater than lid ring outside diameter.
 7. Cover and Frame shall be constructed to withstand H2O loading.



SECTION A-A

APPROVED PRECAST CATCH BASIN COVERS

See Engineer's approved list.

CITY OF ROHNERT PARK

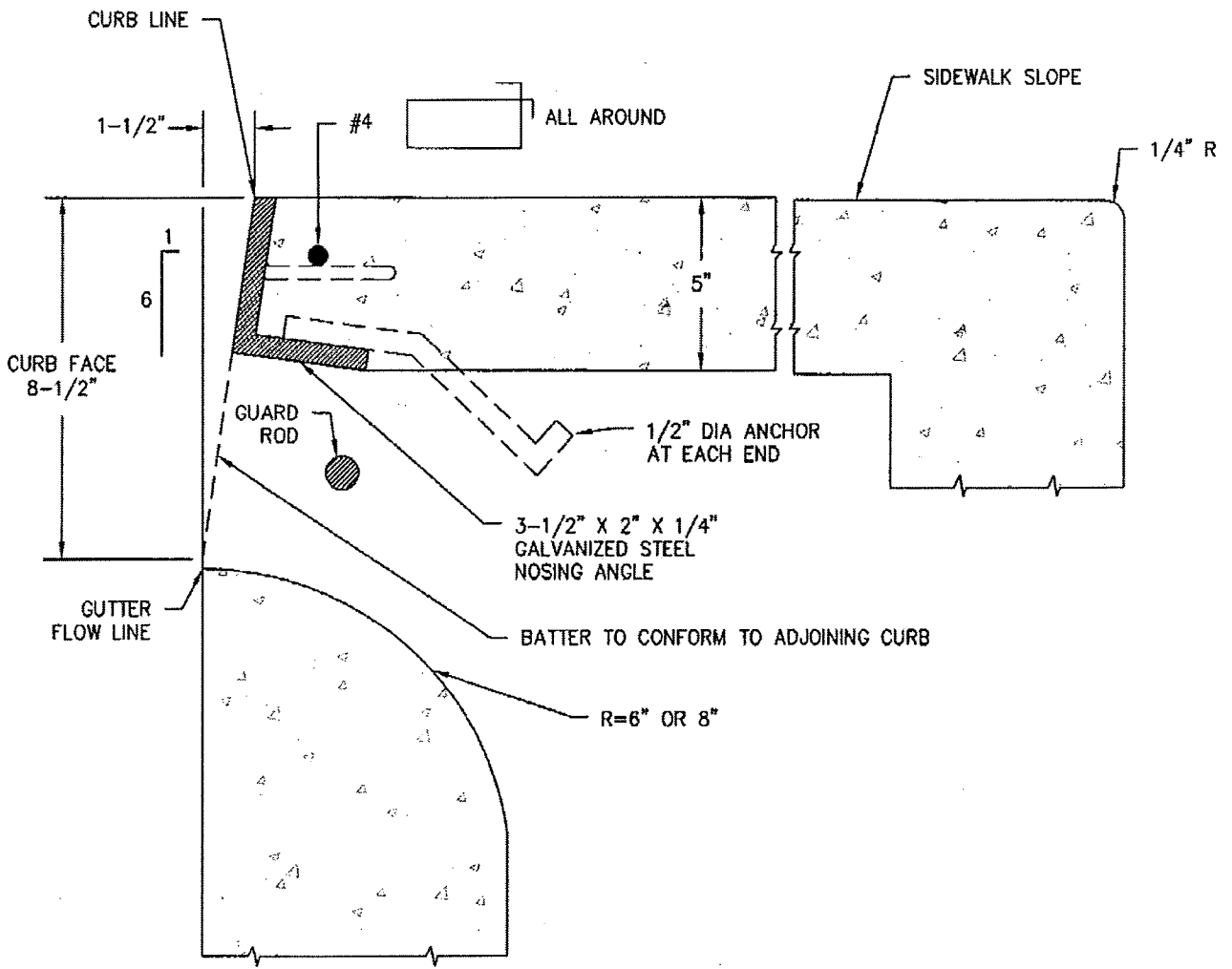
PRECAST CATCH BASIN COVER

SCALE: NONE

DATE: MARCH 2014

Approved:

STD. - 405A



THROAT OPENING DETAIL

NOTES:

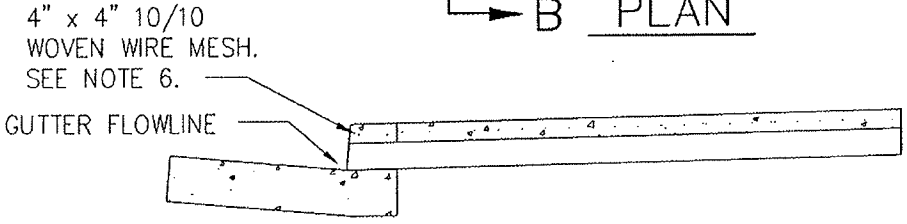
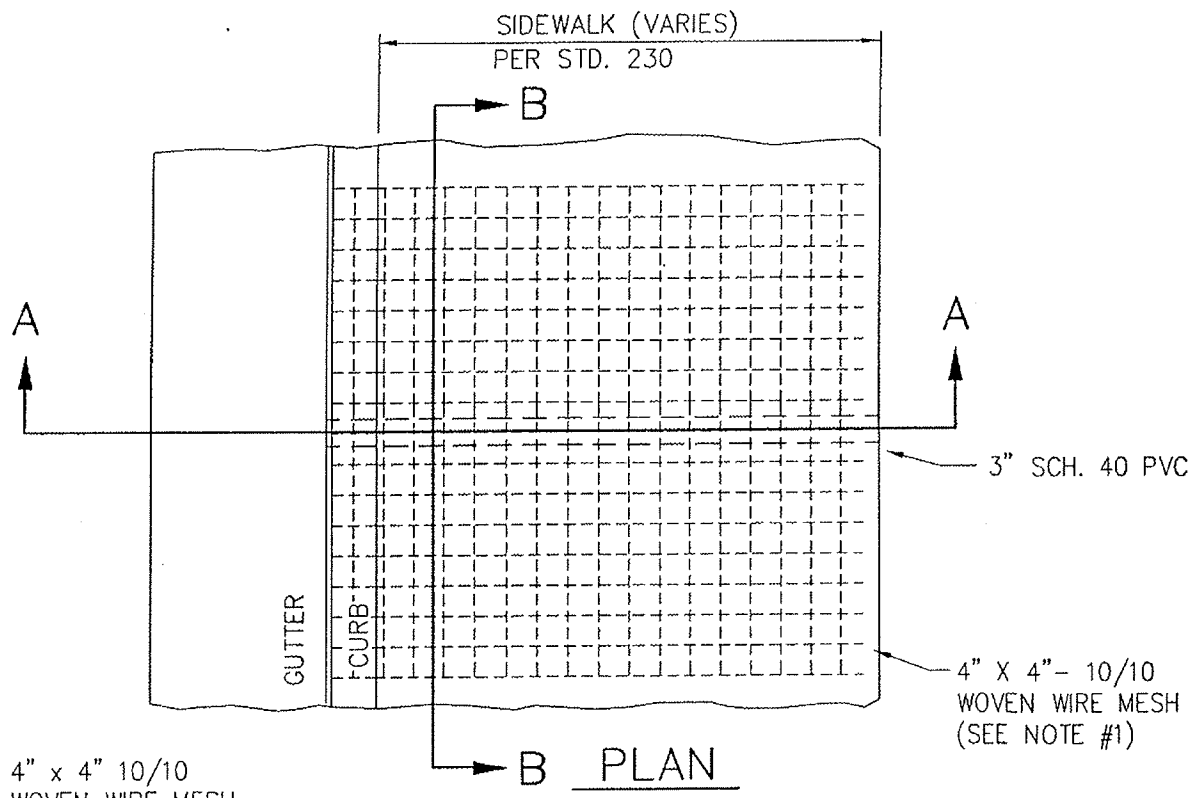
1. ALL METAL PARTS SHALL BE HOT DIPPED GALVANIZED AFTER FABRICATION.
2. ALL GALVANIZING DAMAGED BY WELDING SHALL RECEIVE TWO COATS OF ALUMINUM PAINT.

CITY OF ROHNERT PARK

TYPE I CATCH BASIN- Throat Opening Detail

SCALE: NONE DATE: MARCH 2014

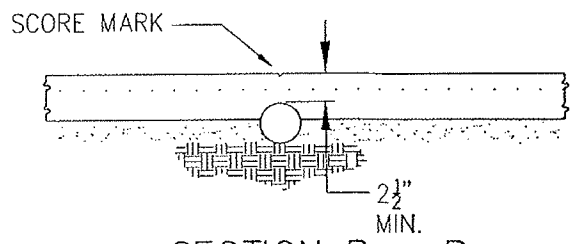
Approved: *[Signature]* STD. - 405B



SECTION A - A

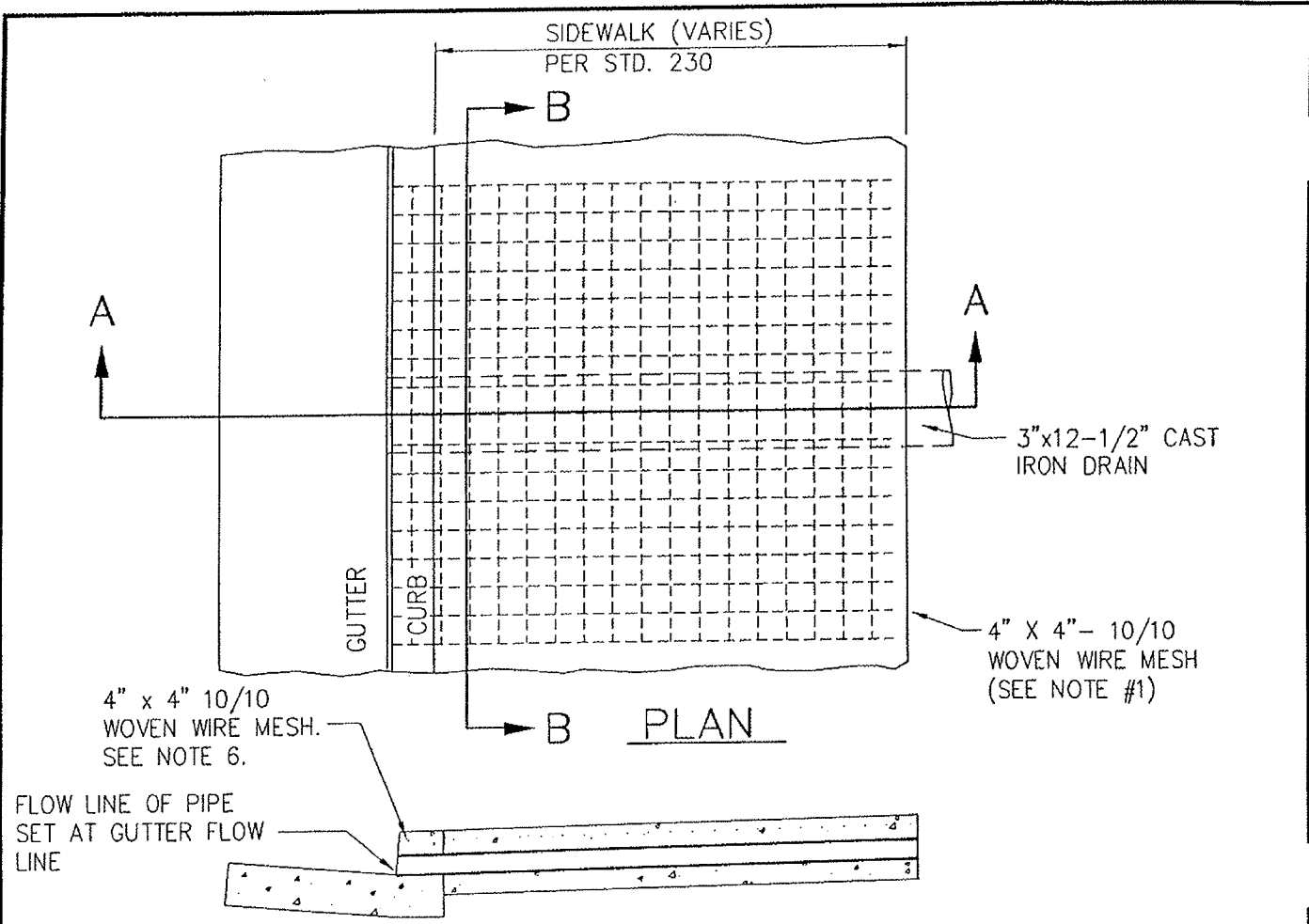
NOTES

1. Wire mesh shall be full width of sidewalk minus 2". Length of wire mesh shall, at a minimum, equal the width and be centered over the pipe.
2. On-site drainage and location of curb outlets shall be by owner to the satisfaction of the City Engineer.
3. Drain pipe shall be installed so that the top of pipe is 2 1/2" (min.) below finished grade at back of sidewalk.
4. Sidewalk shall be removed to the nearest scoremark.
5. If sidewalk and gutter are not contiguous, curb may be cored or curb and gutter removed and replaced a minimum of one foot on each side of the drain pipe. Dowel new gutter to existing curb and gutter with (2) 12" #4 rebar, place one dowel in curb and one in gutter pan using epoxy.
6. If sidewalk and gutter are contiguous, pour monolithic with wire fabric extending into curb.



SECTION B - B
(for one 3" pipe)

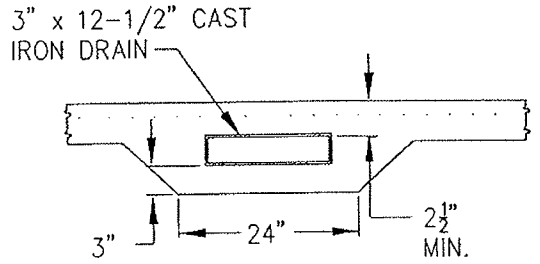
CITY OF ROHNERT PARK	
3" SIDEWALK DRAIN	
SCALE: NONE	DATE: JANUARY 2006
Approved: <i>Dan Johnson</i>	STD. - 406A



SECTION A - A

NOTES

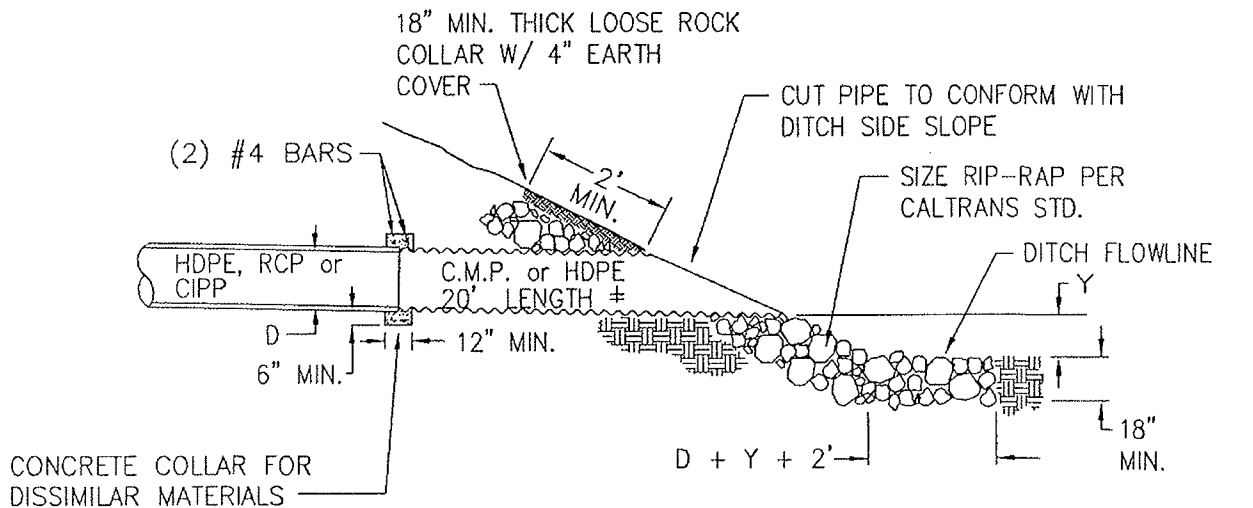
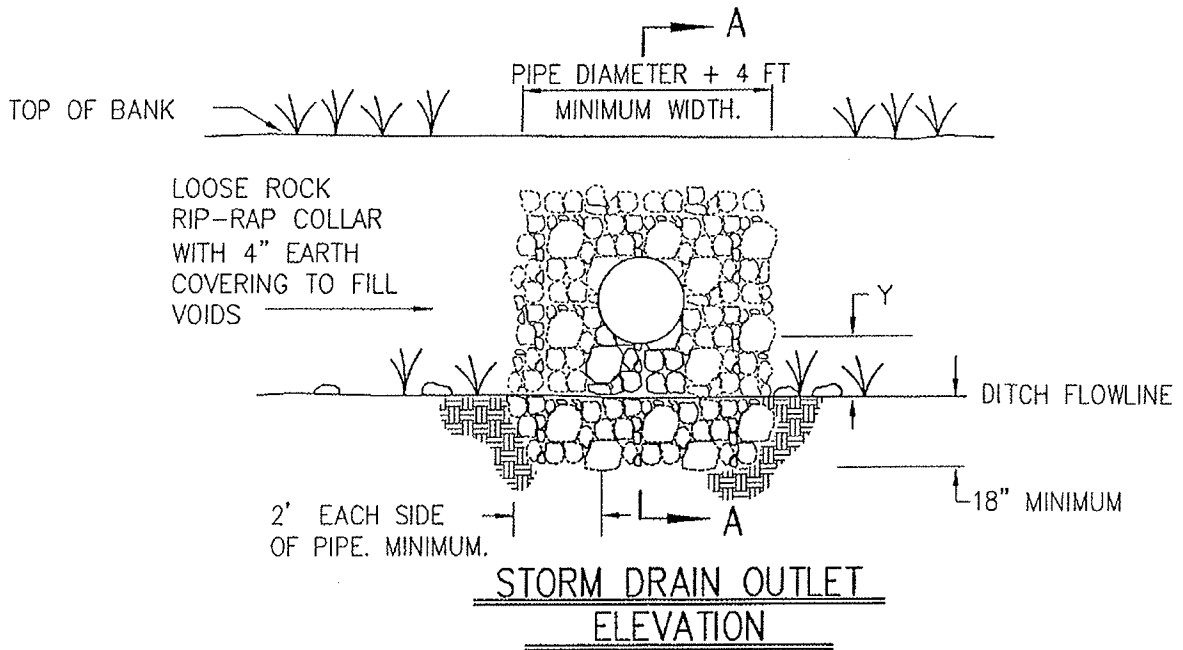
1. Wire mesh shall be full width of sidewalk minus 2". Length of wire mesh shall, at a minimum, equal the width and be centered over the pipe.
2. On-site drainage and location of curb outlets shall be by owner to the satisfaction of the City Engineer.
3. Drain pipe shall be installed so that the top of pipe is 2 1/2" (min.) below finished grade at back of sidewalk.
4. Sidewalk shall be removed to the nearest scoremark.
5. If sidewalk and gutter are not contiguous, remove curb and gutter a minimum of one foot on each side of the drain pipe. Dowel new gutter to existing curb and gutter with (2) 12" #4 rebar, place one dowel in curb and one in gutter pan using epoxy.
6. If sidewalk and gutter are contiguous, pour monolithic with wire fabric extending into curb.



SECTION B - B

CAST IRON SIDEWALK DRAIN
See Engineer's approved list

CITY OF ROHNERT PARK	
3"x12 1/2" CAST IRON SIDEWALK DRAIN	
SCALE: NONE	DATE: JANUARY 2006
Approved: <i>Dennis</i>	STD. - 406B



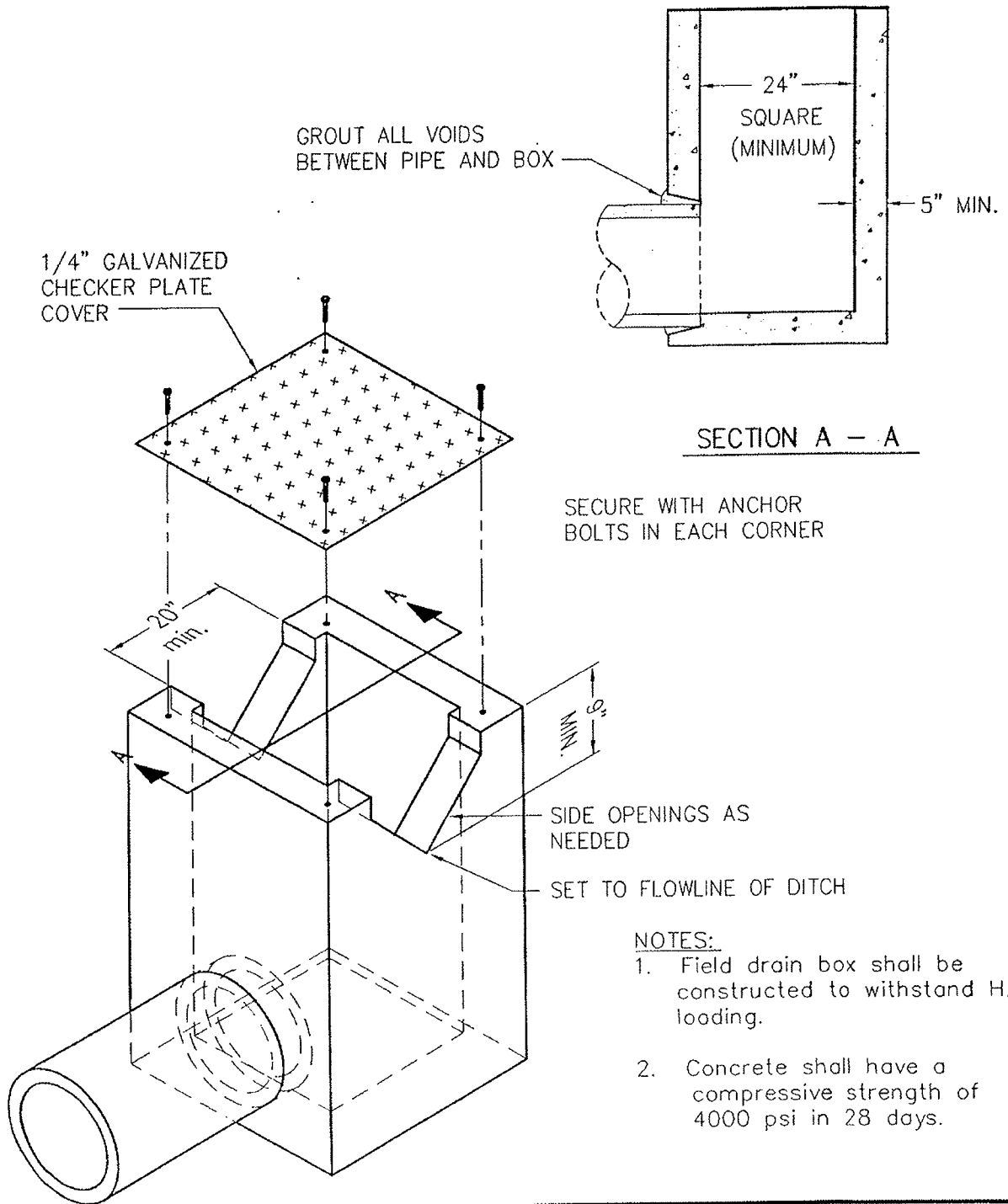
WHEN D < 24" Y = 2'
WHEN D ≥ 24" Y = 1'

SECTION "A - A"

NOTES:

1. CMP shall conform with Section 66-3 of the Standard Specifications.
2. HDPE pipe shall conform with Section 64 of the Standard Specifications for type S pipe.

CITY OF ROHNERT PARK	
LOOSE ROCK RIP-RAP STORM DRAIN OUTLET	
SCALE: NONE	DATE: JANUARY 2006
Approved: <i>Dawn [Signature]</i>	STD. - 407



GROUT ALL VOIDS
BETWEEN PIPE AND BOX

1/4" GALVANIZED
CHECKER PLATE
COVER

SECTION A - A

SECURE WITH ANCHOR
BOLTS IN EACH CORNER

SIDE OPENINGS AS
NEEDED

SET TO FLOWLINE OF DITCH

NOTES:

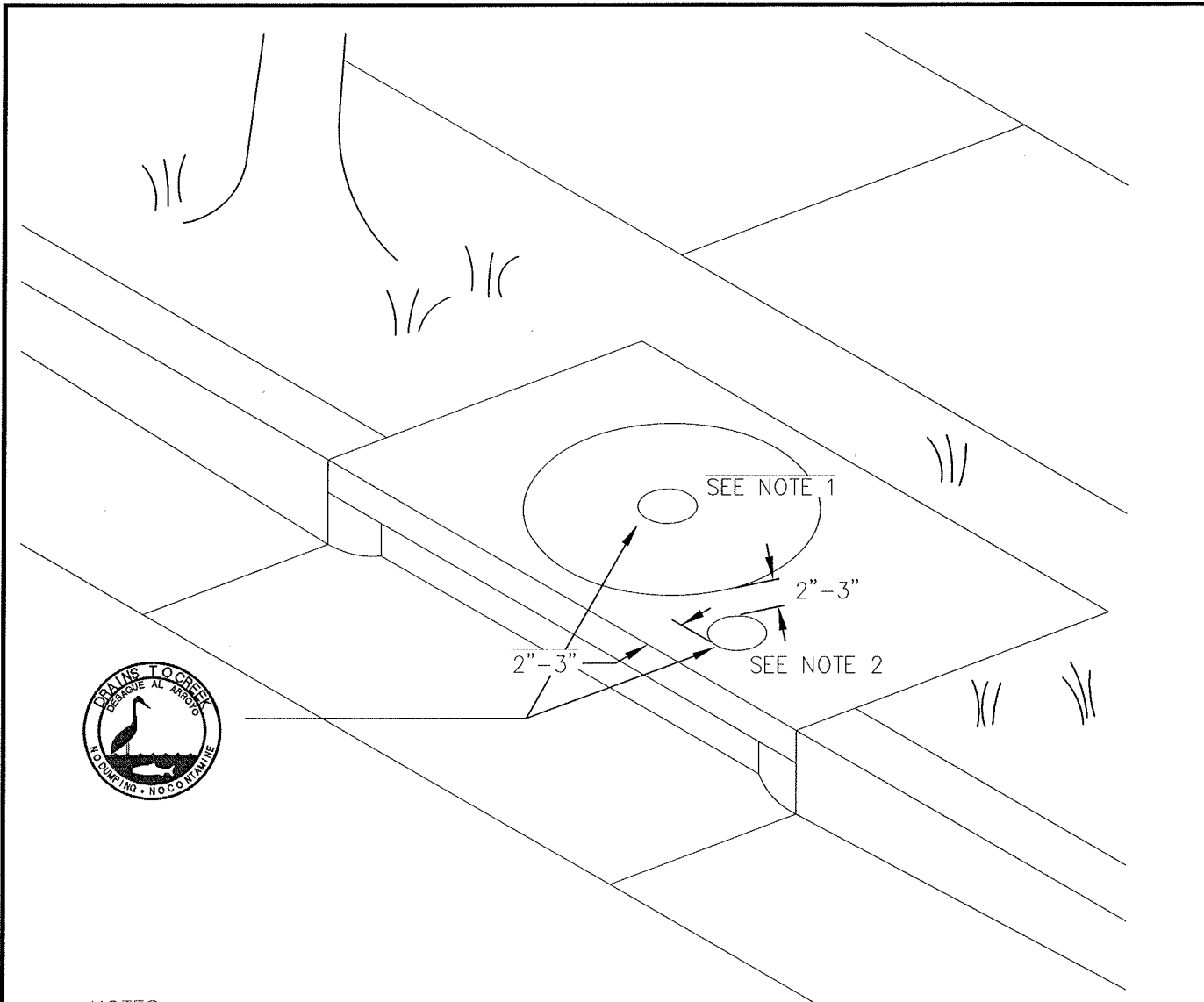
1. Field drain box shall be constructed to withstand H2O loading.
2. Concrete shall have a compressive strength of 4000 psi in 28 days.

ISOMETRIC VIEW

PRECAST SIDE OPENING FIELD DRAIN

See Engineer's approved list

CITY OF ROHNERT PARK	
PRECAST SIDE OPENING FIELD DRAIN	
SCALE: NONE	DATE: JANUARY 2006
Approved: <i>Damian...</i>	STD. - 408

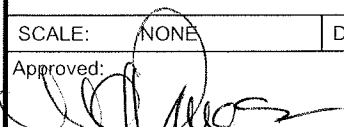


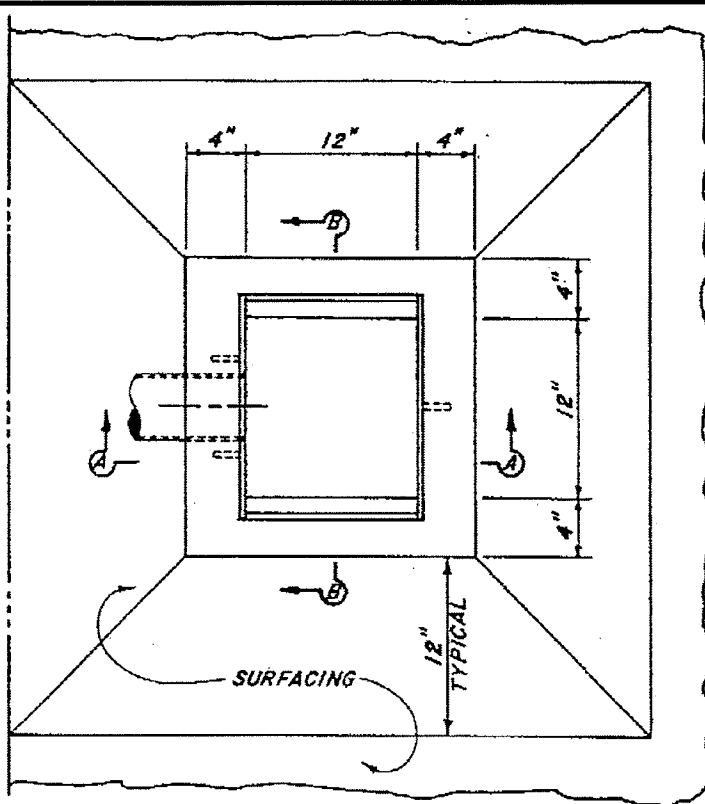
NOTES:

1. Affix label to center of catch basin lid ONLY if catch basin is not part of the sidewalk. Label shall be precast in lid or affix to lid.
2. If the catch basin lid is cast iron AND the catch basin is not part of the sidewalk AND lid does not have label cast into it, affix label in this location, oriented to be read from the street.
3. Affix label on top of curb at inlet, when a Type I catch basin is installed

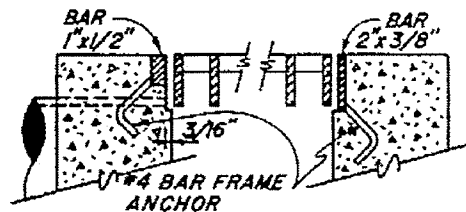
APPROVED STORM DRAIN LABELS

See Engineer's approved list, STD 409

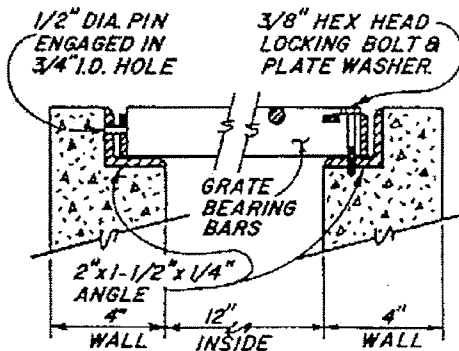
CITY OF ROHNERT PARK	
STORM DRAIN LABELS	
SCALE: NONE	DATE: MARCH 2014
Approved: 	STD. - 409



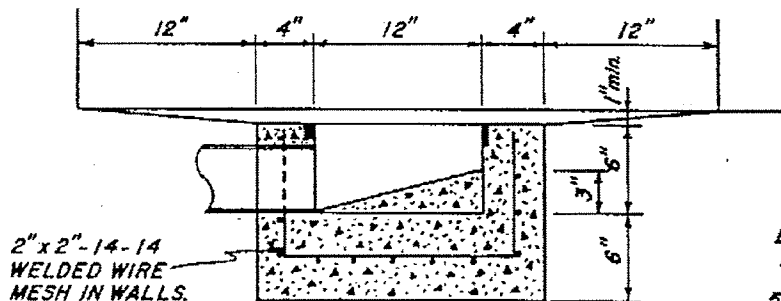
PLAN



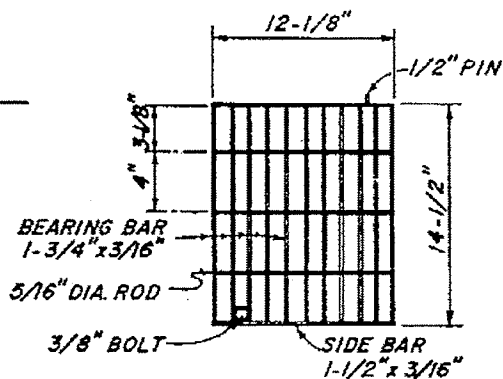
SECTION A-A



SECTION B-B



ELEVATION



GRATE DETAIL

NOTES:

1. ALL CONCRETE SHALL HAVE COMPRESSIVE STRENGTH OF 4000 PSI AT 28 DAYS AND MEET CALTRANS SPECIFICATIONS.
2. GRATING & FRAMES ARE TO BE ASSEMBLED & MADE TO FIT BEFORE DELIVERY ON THE JOB SITE.
3. ALL STEEL COMPONENTS TO BE GALVANIZED AFTER FABRICATION. AFTER ERECTION ALL ABRADED SURFACES SHALL BE CLEANED FREE OF RUST & OIL AND NEATLY SOLDERED OVER WITH 50-50 SOLDER.
4. SEE STD. NO. 406 FOR SIDEWALK UNDERDRAIN DETAIL.

CITY OF ROHNERT PARK

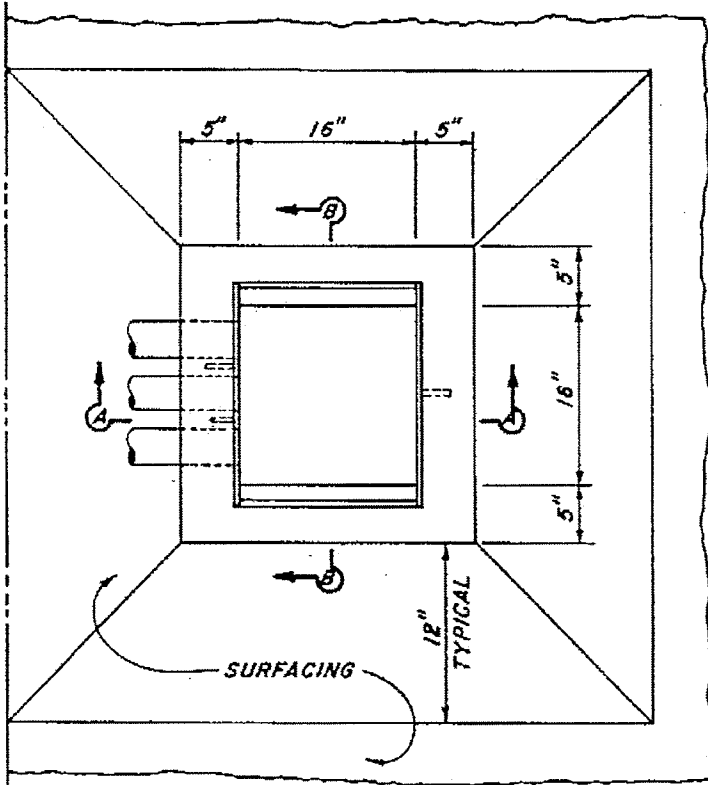
SIDEWALK DRAIN CATCH BASIN 12"x12"

SCALE: NONE

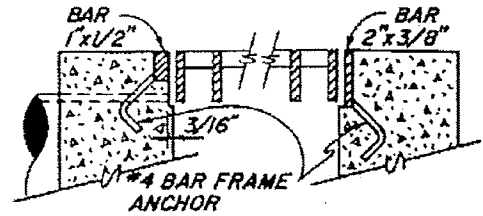
DATE: MARCH 2014

Approved:

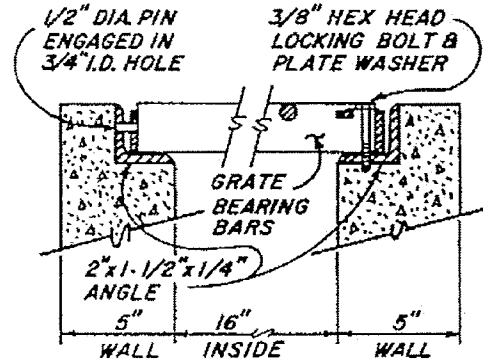
STD. - 410



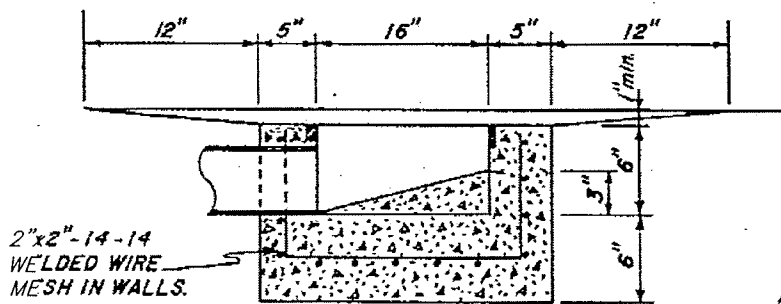
PLAN



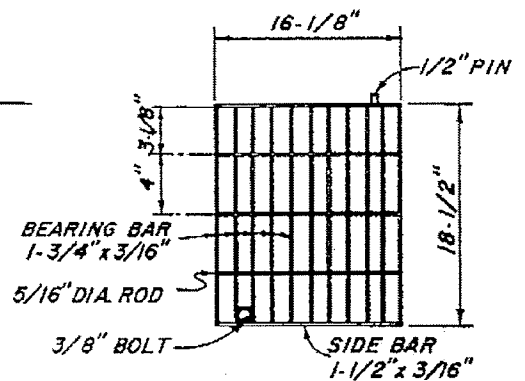
SECTION A-A



SECTION B-B



ELEVATION



GRATE DETAIL

NOTES:

1. ALL CONCRETE SHALL HAVE COMPRESSIVE STRENGTH OF 4000 PSI AT 28 DAYS AND MEET CALTRANS SPECIFICATIONS.
2. GRATING & FRAMES ARE TO BE ASSEMBLED & MADE TO FIT BEFORE DELIVERY ON THE JOB SITE.
3. ALL STEEL COMPONENTS TO BE GALVANIZED AFTER FABRICATION. AFTER ERECTION ALL ABRADED SURFACES SHALL BE CLEANED FREE OF RUST & OIL AND NEATLY SOLDERED OVER WITH 50-50 SOLDER.
4. SEE STD. NO. 406 FOR SIDEWALK UNDERDRAIN DETAIL.

CITY OF ROHNERT PARK

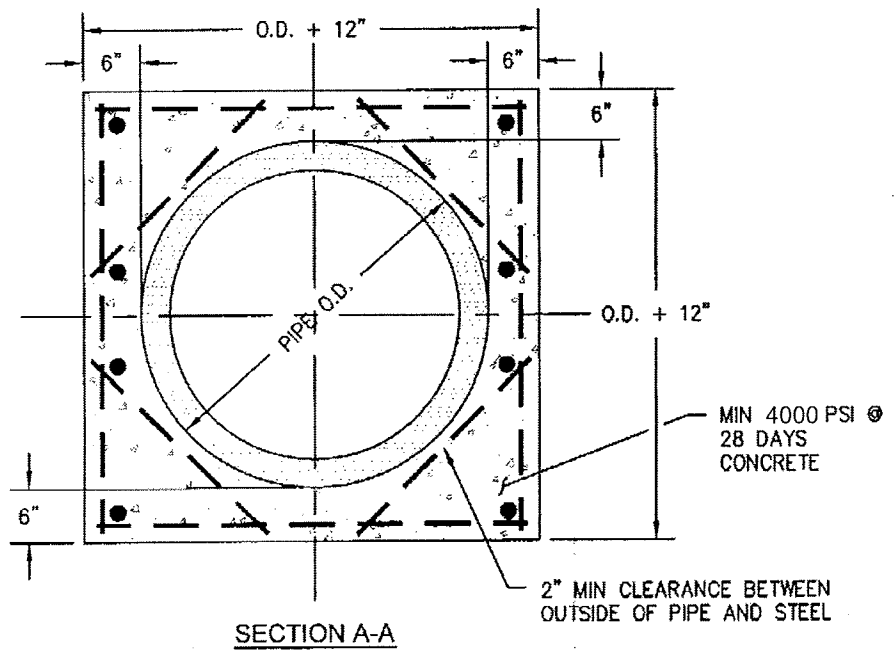
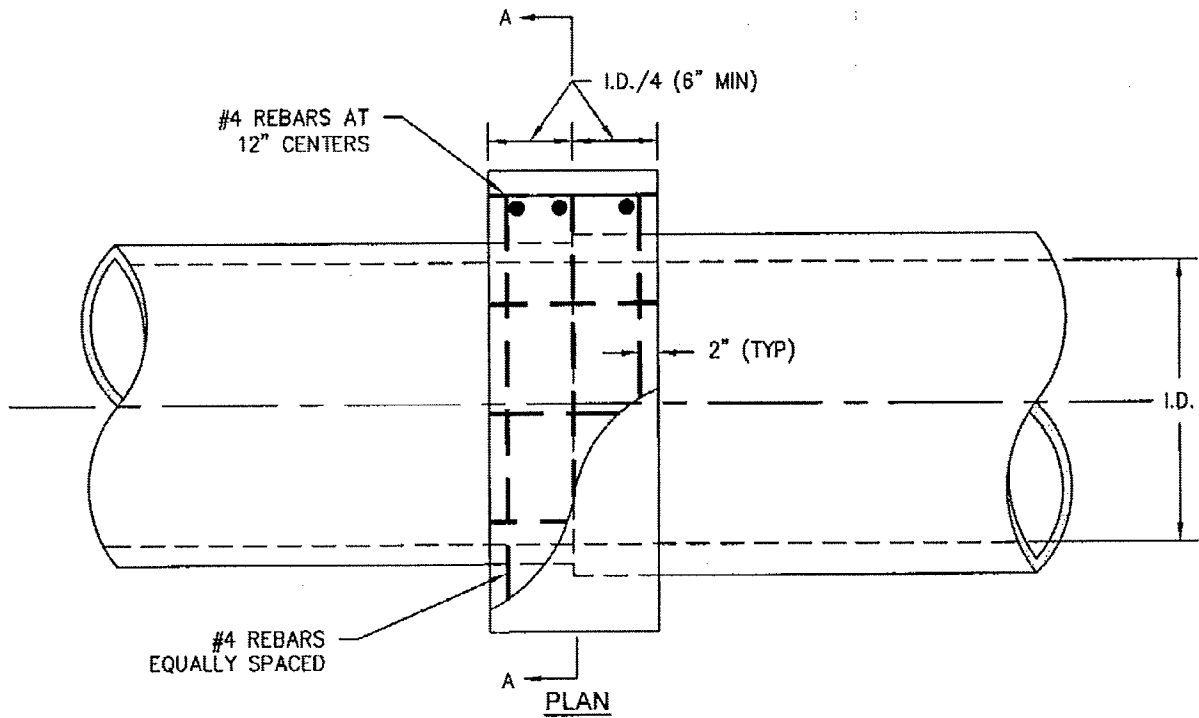
SIDEWALK DRAIN CATCH BASIN 16"x16"

SCALE: NONE

DATE: MARCH 2014

Approved:

STD. - 411



CITY OF ROHNERT PARK

REINFORCED CONCRETE PIPE COLLAR

SCALE: NONE

DATE: MARCH 2014

Approved:

STD. - 412