

# CITY OF ROHNERT PARK

## TREE PLANTING AND STAKING DETAIL

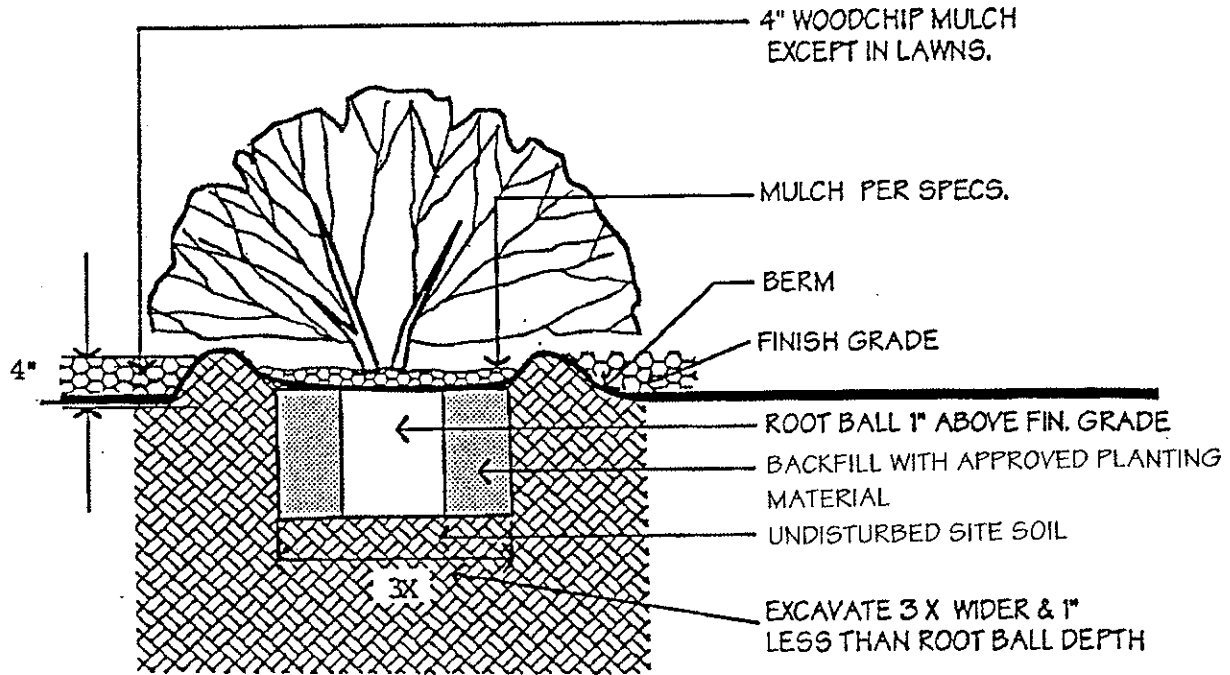
SCALE: NONE

DATE: JANUARY 2006

Approved:

*Dawn [Signature]*

STD. - 101A



# CITY OF ROHNERT PARK

## SHRUB PLANTING DETAIL

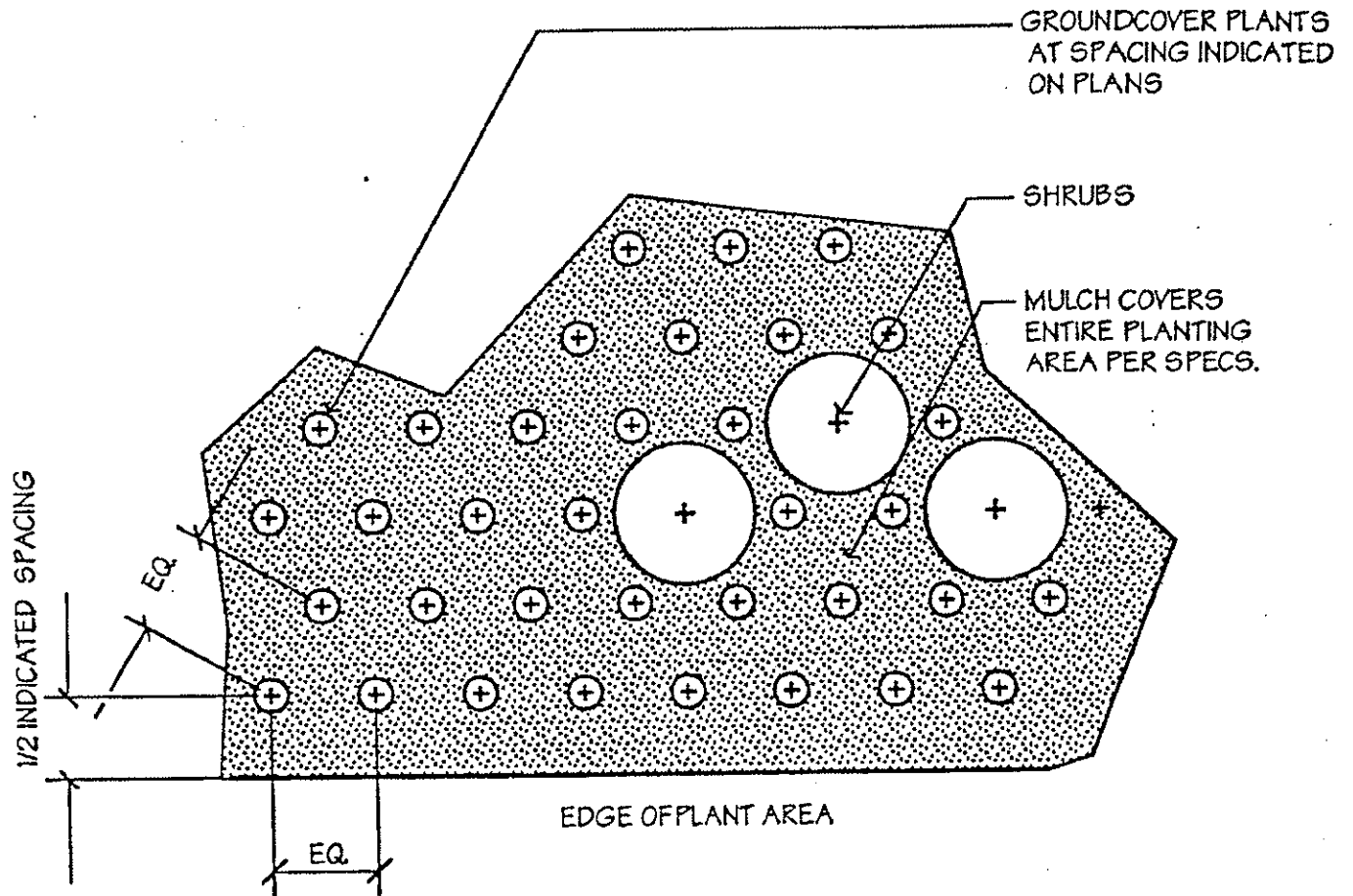
SCALE: NONE

DATE: JANUARY 2006

Approved:

*Dampfstein*

STD. - 101B

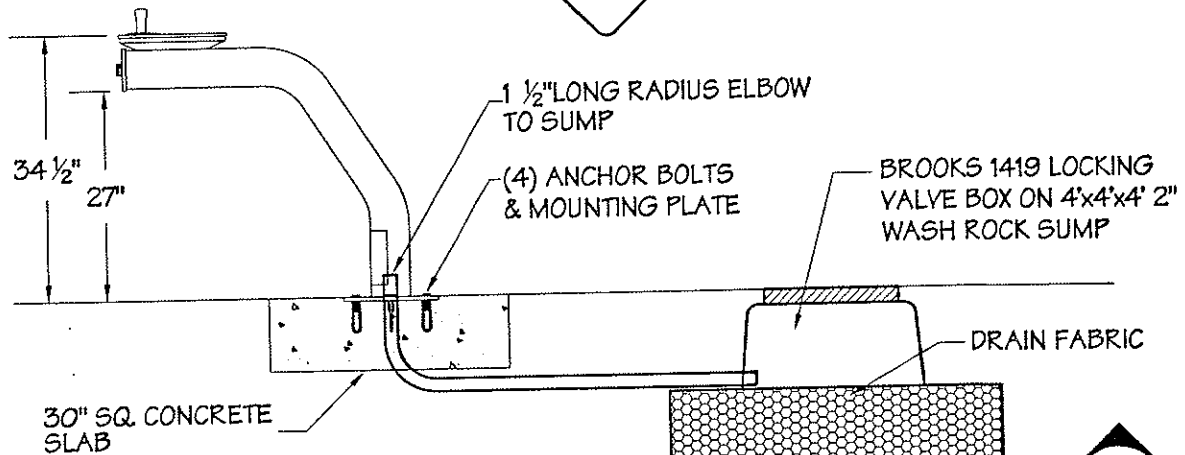
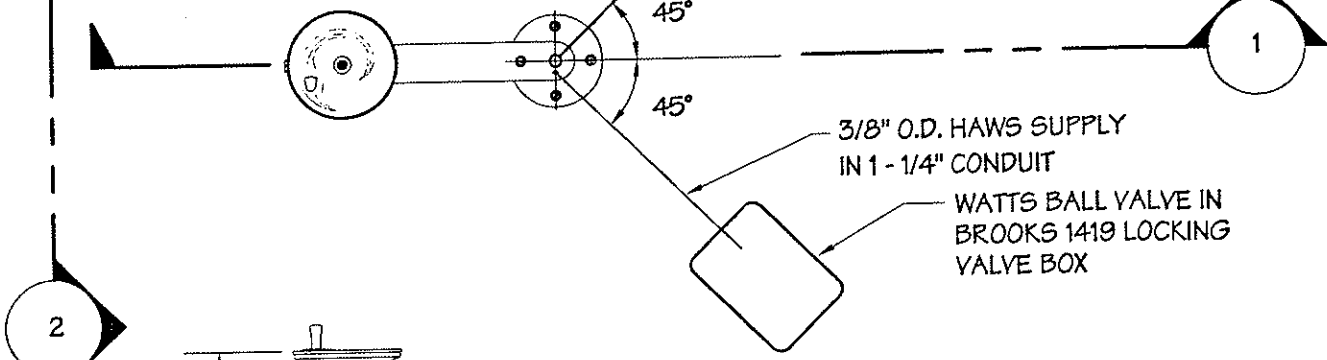


<b>CITY OF ROHNERT PARK</b>	
GROUND COVER PLANTING DETAIL	
SCALE: NONE	DATE: JANUARY 2006
Approved: <i>Dennis J. ...</i>	STD. - 101C

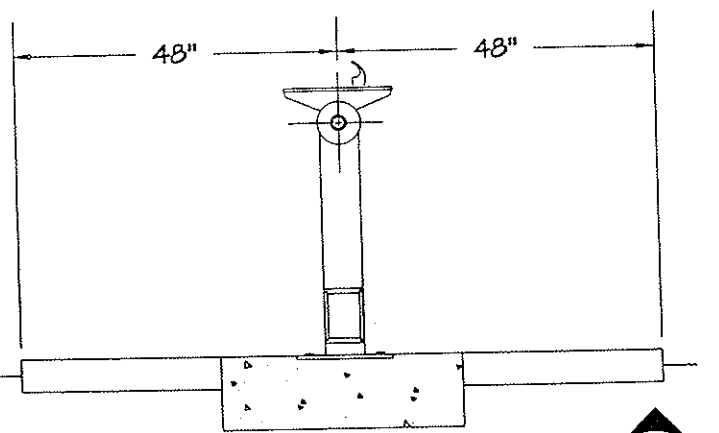
HAWS MODEL 3380 G  
STANDARD PUSH BUTTON  
OPERATION

1 1/2" SCH. 40 PVC WASTE

BROOKS 1419 LOCKING  
VALVE BOX ON 4'x4'x4' 2"  
WASH ROCK SUMP

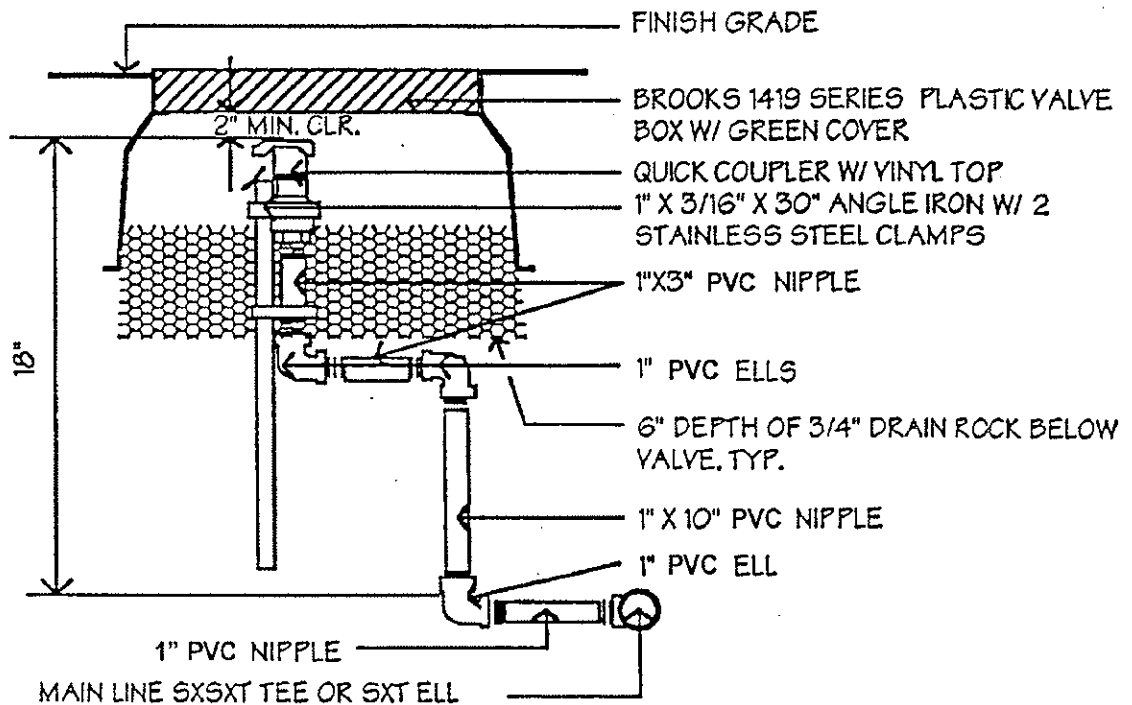


INSTALL PER MANUFACTURERS SPECIFICATIONS  
SIDE SECTION



FRONT SECTION

<b>CITY OF ROHNERT PARK</b>	
DRINKING FOUNTAIN DETAIL	
SCALE: NONE	DATE: JANUARY 2006
Approved: <i>Dampskin</i>	STD. - 102



NOTES:

1. PIPE SHALL BE PVC SCH 80 PIPE, NSF 61 APPROVED, TYPE 1 GRADE 1 OR CLASS 12454-B, ASTMD1784 AND ASTMD1785.
2. FITTINGS SHALL BE SOCRET TYPE, ASTMD2467, NSF 61 APPROVED.
3. JOINTS SHALL BE SOLVENT WELDED PER ASTMD2564 AND ASTMD2855.

CITY OF ROHNERT PARK

QUICK COUPLER VALVE DETAIL

SCALE: NONE

DATE: JANUARY 2006

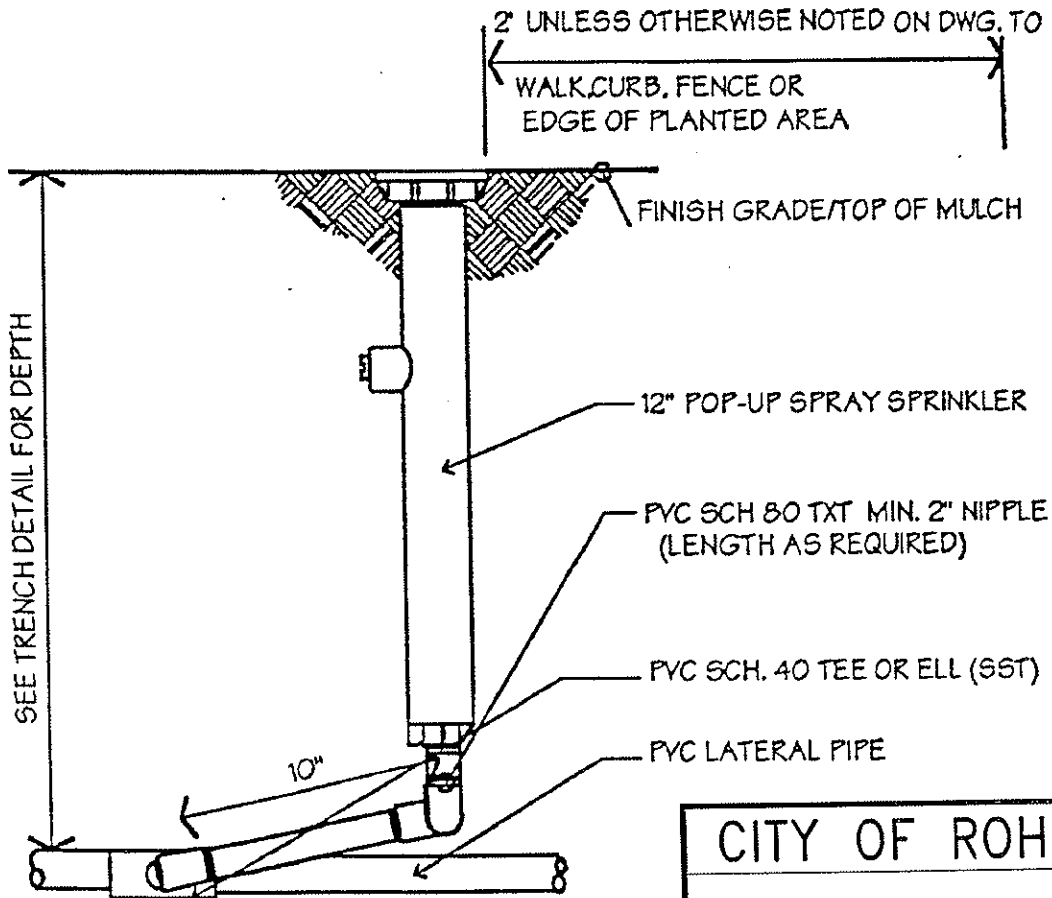
Approved:

*Damian*

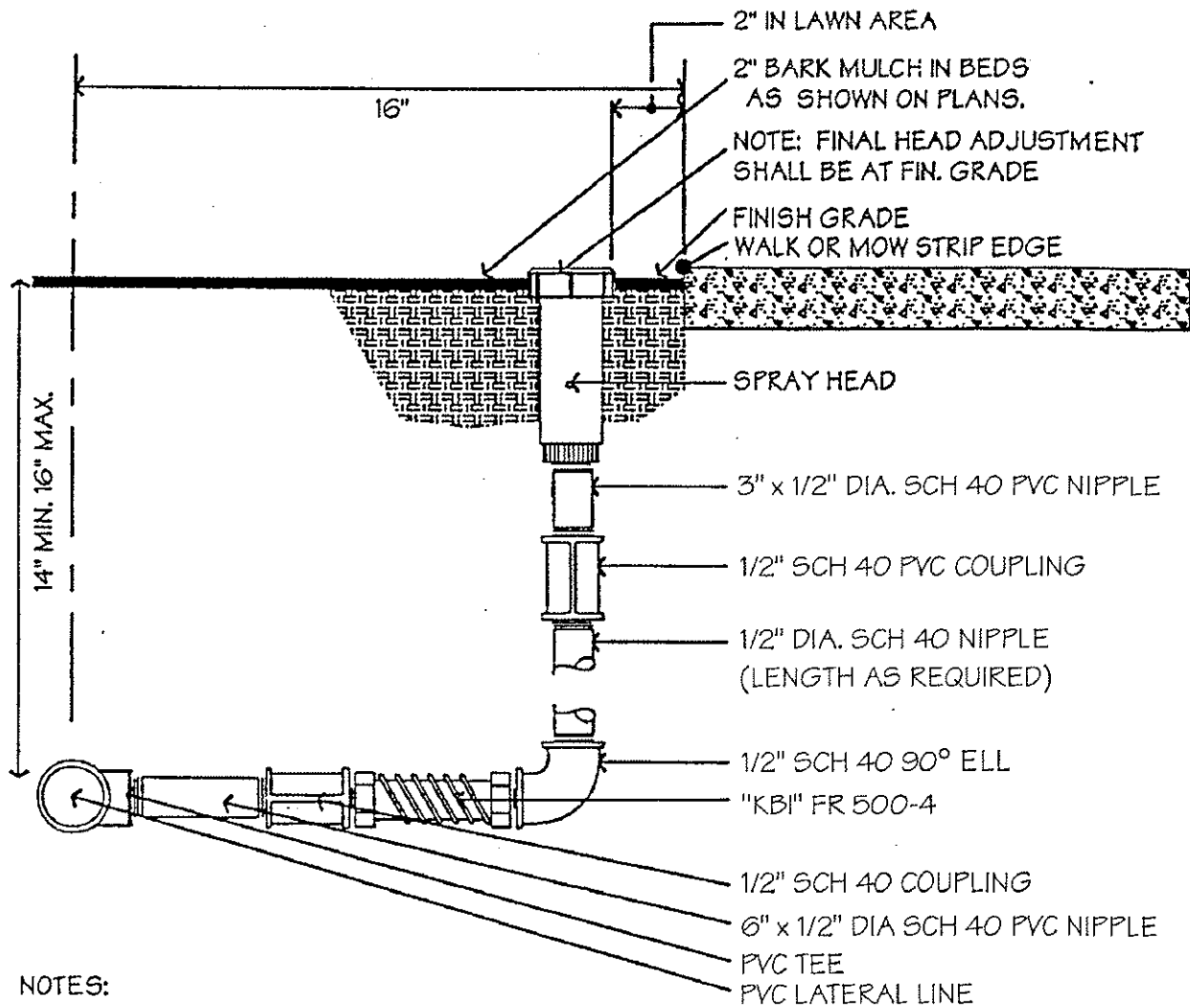
STD. - 103

NOTES:

1. UNLESS OTHERWISE NOTED, ALL FITTINGS ARE TO BE THE SAME IPT SIZE AS THE SPRINKLER IPT INLET THREASIZE.
2. SPRINKLER IS TO BE INSTALLED PERPENDICULAR TO EXISTING GRADE UNLESS FIELD CONDITIONS REQUIRE ADJUSTMENT.
3. SWING JOINT ASSEMBLY:
  - A. O-RING JOINTS MUST BE FINGER TIGHTENED AND THEN BACKED OFF ONE FULL TURN TO ALLOW WING ACTION.
  - B. CUT AND SOLVENT WELD SCHEDULE 40 PVC PIPE TO PROVIDE 10 INCHES BETWEEN CENTER LINES OF ELBOWS ON SWING ARM.
  - C. FOLLOW APPROVED PROCEDURES FOR SOLVENT WELDING AS PER ASTM D2955-81.
4. CONTRACTOR MAY SUBMIT FOR APPROVAL EQUAL SUBSTITUTE EQUIPMENT FOR ALL SPECIFIED PROPRIETARY EQUIPMENT.
5. USE LASCO PVC SWING JOINT KIT OR EQUAL (MIPT INLET X FIPT OUTLET), LASCO PART NO.: (1/2") T524-100; (3/4") T724-100.
6. INSTALL TOP OF SPRINKLER FLUSH WITH FINISHED SOIL GRADE



<b>CITY OF ROHNERT PARK</b>	
<b>HIGH POP-UP SPRAY SPRINKLER DETAIL</b>	
SCALE: NONE	DATE: JANUARY 2006
Approved: <i>Dampfstein</i>	STD. - 104A



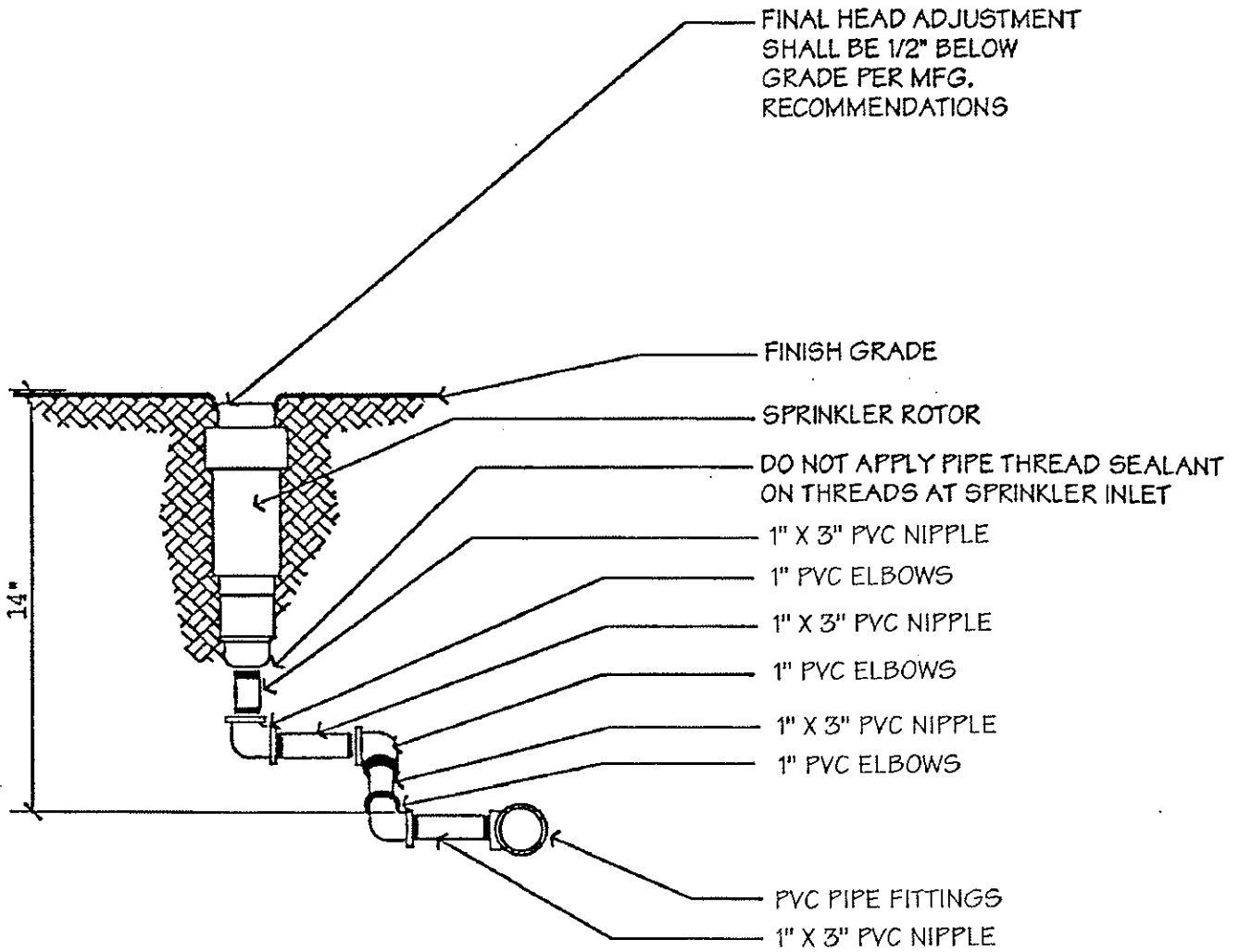
NOTES:

1. ALL PVC CONNECTIONS TO BE COATED W/PIPE JOINT COMPOUND. "RECTORSEAL" #100 NON-HARDENING TEFLON PASTE.
2. USE TEFLON PE AT BASE OF SPRINKLER ONLY.
3. FLEX NIPPLES TO BE "KBI" 4" OR EQUAL.
4. TRENCH FOR LATERALS SHALL EXCEED 16" FROM HEADER BOARD OR OTHER PATHWAY SURFACES.
5. PROTECT PATHWAY WITH PLYWOOD WHILE TRENCHING.
6. THE 6" PVC NIPPLE AND PVC COUPLING ARE TO BE USED ONLY IN THE CASES WHERE POP-UP IS INSTALLED ADJACENT TO PATHWAY SURFACES OR HEADER BOARDS. DELETE WHEN HEADS ARE TO BE INSTALLED MORE THAN 2" FROM PATHWAY OR FACE OF HEADBOARDS.

<b>CITY OF ROHNERT PARK</b>	
<b>POP-UP SPRAY SPRINKLER DETAIL</b>	
SCALE: NONE	DATE: JANUARY 2006
Approved: <i>Dan Martin</i>	STD. - 104B

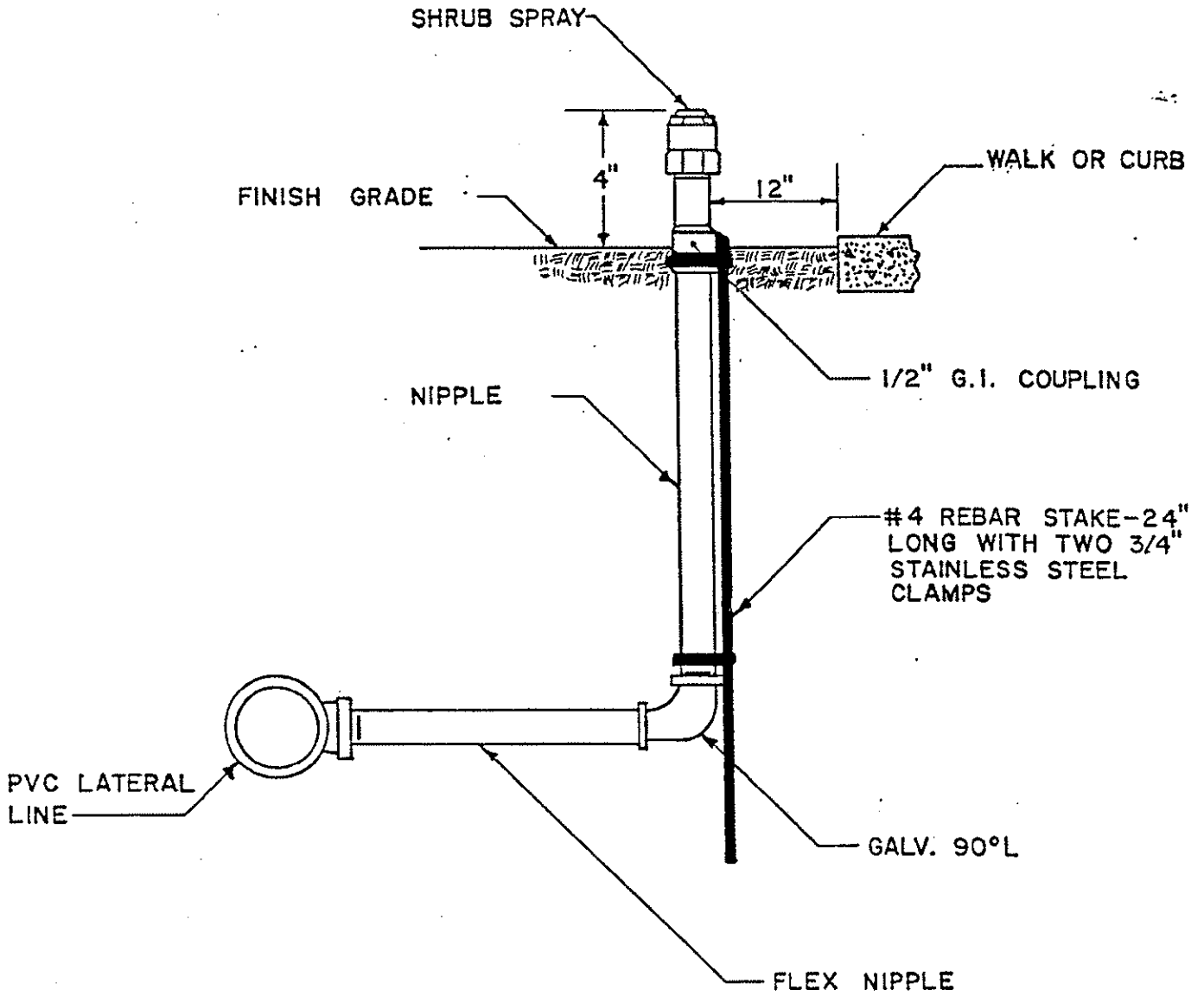
NOTES:

1. ALL CONNECTIONS TO BE COATED WITH PIPE JOINT COMPOUND "RECTORSEAL #100-NON-HARDENING TEFLON PASTE.
2. USE TEFLON PE AT BASE OF SPRINKLER ONLY.



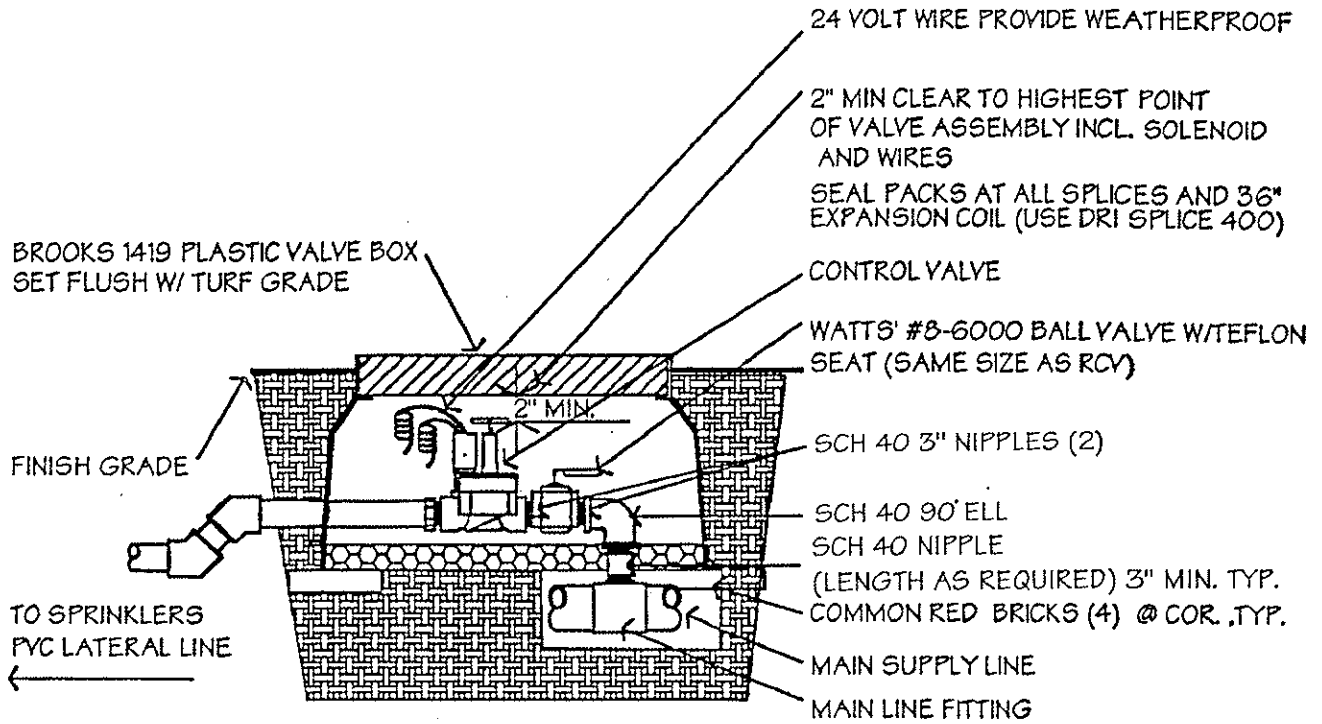
<b>CITY OF ROHNERT PARK</b>	
LAWN ROTOR DETAIL	
SCALE: NONE	DATE: JANUARY 2006
Approved: <i>Dampfelin</i>	STD. - 104C





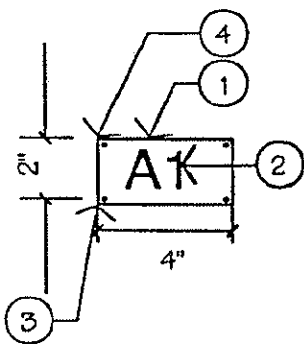
SHRUB RISER DETAIL  
NOT TO SCALE

CITY OF ROHNERT PARK	
SHRUB RISER DETAIL	
SCALE: NONE	DATE: JANUARY 2006
Approved: <i>David Johnson</i>	STD. - 105



**NOTES:**

1. ALL CONNECTIONS MADE UP WITH "RECTORSEAL" #100 NON-HARDENING TEFLON PASTE.
2. ONE BALL VALVE PER VALVE OR VALVE MANIFOLD.
3. DO NOT ALLOW SOIL TO COME IN CONTACT WITH VALVE.



**VALVE LABEL NOTES:**

1. VALVE LABEL SHALL BE .08" THICK 2" X 4" ALUMINUM PLATE WITH STAMPED LETTERS AND NUMBERS TO CORRESPOND TO EACH IRRIGATION VALVE, QUICK COUPLER, ETC.
2. LETTERS SHALL BE 1 1/2" HIGH HELVETIC. ATTACH 3/16" POP RIVETS THRU LABEL & VALVE BOX AT EA. OF THE 4 CORNERS OF LABEL. ROUNDED NUMBERS TO BE .040 DEEP PAINTED WITH GREEN ENAMEL
3. CORNERS TO HAVE 1/4" RADIUS AND ALL SIDES TO HAVE SMOOTH EDGES.
4. ALL BOXES SHALL BE LABELED INCLUDING QUICK COUPLERS AND BALL VALVES.

<b>CITY OF ROHNERT PARK</b>	
<b>REMOTE CONTROL VALVE DETAIL</b>	
SCALE: NONE	DATE: JANUARY 2006
Approved:	STD. - 106

120 VOLT A.C. SERVICE TO BE INSTALLED INFLEXIBLE SEALTITE STEEL ELECTRICAL CONDUIT

120 VOLT DUPLEX GCFI RECEPTACLE PROVIDED WITH ENCLOSURE OPTION "A"

IRRIGATION CONTROLLERS 10 1/2" W X 9 3/4" H

TEMPLATE SPRAY PAINT (WHITE COLOR) LETTER DESIGNATION TO CONTROLLER DOOR.

120 VOLT DISCONNECT SWITCH PROVIDED WITH ENCLOSURE OPTION "A".

FINISH GRADE

DOOR

23"

35"

LE MEUR MODEL A ELECTRICAL WITH OPTION "A" COMPONENTS, PAINT COLOR: DARK FOREST GREEN ENAMEL - 2 COATS SPRAYED. SUBMIT PAINT SAMPLE AND APPLICATION FOR APPROVAL PRIOR TO PAINTING.

ALLOW SPACE FOR REMOTE CONTROL RECEIVER UNIT

IRRI-TROL REMOTE CONTROL REC-RR RECEIVER UNIT (ONE PER CONTROLLER) WITH ADP-1 ADAPTER CABLE

RAIN SHUT-OFF DEVICE (WCS RAIN GUARD IN VANDAL PROOF ENCLOSURE) MOUNT UNIT TO SIDE OF ENCLOSURE.

24 VOLT WIRE IN CONTINUOUS CONDUIT

SPARE 24 VOLT WIRE CONDUITS & SWEEP (SCOTCH GARD ENDS OF SPARE WIRES

MOUNT ENCLOSURE WITH (4) 1/2" X 4 ANCHOR BOLTS - INSTALL CADNIUM WASHERS BETWEEN CONCRETE PAD AND ENCLOSURE TO ADD 1/4 INCH GAP AT ALL BOLTS.

COMPACT SUBGRADE TO 95%

NOTE: INSTALL GROUNDING RODS PER CITY CODE.

PROVIDE AND INSTALL CHRISTY N9 CONCRETE ELECTRICAL BOX W/D 16 LID.

CHRISTY N9 CONG. ELECTRICAL PULL BOX W/D 16 LID PROVIDED BY IRRIGATION CONTRACTOR.

6" DEEP CONCRETE BASE-EXTEND CONCRETE 6" BEYOND ENCLOSURE EXCEPT IN FRONT OF ENCLOSURE WHERE CONCRETE SHALL EXTEND 24".

4" CLASS II AGGREGATE BASE ROCK - 95% COMPACTION

2" PVC CONDUIT FOR 24 VOLT WIRE. STUB INTO CHRISTY CONCRETE ELECTRICAL BOX

# CITY OF ROHNERT PARK

## SINGLE CONTROLLER AND ENCLOSURE DETAIL

SCALE: NONE

DATE: JANUARY 2006

Approved:

*Damian...*

STD. - 107A

120 VOLT A.C. SERVICE TO BE  
 INSTALLED INFLEXIBLE SEALTITE STEEL  
 ELECTRICAL CONDUIT

120 VOLT DUPLEX GCFI  
 RECEPTACLE  
 PROVIDED WITH  
 ENCLOSURE OPTION "A"

IRRIGATION CONTROLLERS  
 10 1/2" W X 9 3/4" H  
 TEMPLATE SPRAY PAINT  
 (WHITE COLOR) LETTER  
 DESIGNATION TO  
 CONTROLLER DOOR.

120 VOLT DISCONNECT  
 SWITCH  
 PROVIDED WITH  
 ENCLOSURE OPTION "A"

FINISH GRADE DOOR

1"

35"

LE MEUR MODEL B ELECTRICAL  
 ENCLOSURE (35" H X 35" W X 11" DEEP)  
 WITH OPTION "A" COMPONENTS.  
 PAINT COLOR: DARK FOREST  
 GREEN ENAMEL - 2 COATS SPRAYED.  
 SUBMIT PAINT SAMPLE AND  
 APPLICATION FOR APPROVAL PRIOR  
 TO PAINTING.

ALLOW SPACE FOR REMOTE  
 CONTROL RECEIVER UNITS

IRRI-TROL REMOTE CONTROL REC-RR  
 RECEIVER UNIT (ONE PER CONTROLLER)  
 WITH ADP-1 ADAPTER CABLE

RAIN SHUT-OFF DEVICE (WCS RAIN  
 GUARD IN VANDAL PROOF ENCLOSURE)  
 MOUNT UNIT TO SIDE OF ENCLOSURE.

24 VOLT WIRE IN CONTINUOUS CONDUIT  
 SPARE 24 VOLT WIRE CONDUITS & SWEEP  
 (SCOTCH GARD ENDS OF SPARE WIRES  
 MOUNT ENCLOSURE WITH (4) 1/2" X 4  
 ANCHOR BOLTS - INSTALL CADNIUM  
 WASHERS BETWEEN CONCRETE PAD  
 AND ENCLOSURE TO ADD 1/4 INCH GAP  
 AT ALL BOLTS.

35"

COMPACT SUBGRADE TO 95%

NOTE: INSTALL GROUNDING RODS  
 PER CITY CODE.  
 ONE FOR EACH CONTROLLER

\* 120 VOLT SERVICE AND CONDUIT  
 PROVIDED UNDER ELECTRICAL WORK.

PROVIDE AND INSTALL CHRISTY N9  
 CONCRETE ELECTRICAL BOX W/D 16 LID.

PROVIDE AND INSTALL CHRISTY N9  
 CONCRETE ELECTRICAL BOX W/D 16 LID.

6" DEEP CONCRETE BASE-EXTEND  
 CONCRETE 6" BEYOND ENCLOSURE  
 EXCEPT IN FRONT OF ENCLOSURE  
 WHERE CONCRETE SHALL EXTEND 24".

4" CLASS II AGGREGATE BASE  
 ROCK - 95% COMPACTION

2" PVC CONDUIT FOR 24 VOLT  
 WIRE. STUB INTO CHRISTY N9  
 CONCRETE ELECTRICAL BOX W/D 16  
 LID. (2 TOTAL)

# CITY OF ROHNERT PARK

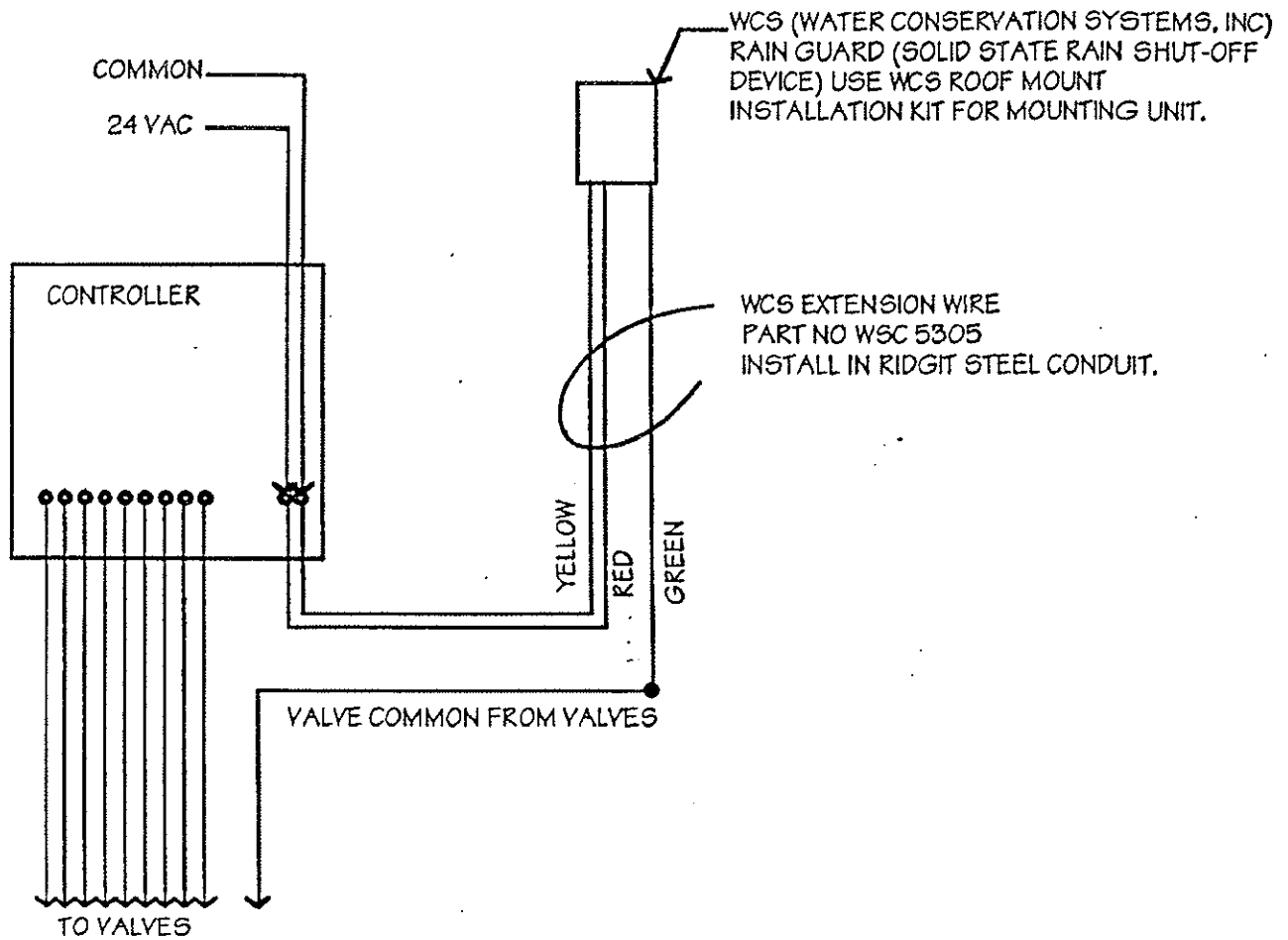
## MULTIPLE CONTROLLER AND ENCLOSURE DETAIL

SCALE: NONE

DATE: JANUARY 2006

Approved:

STD. - 107B



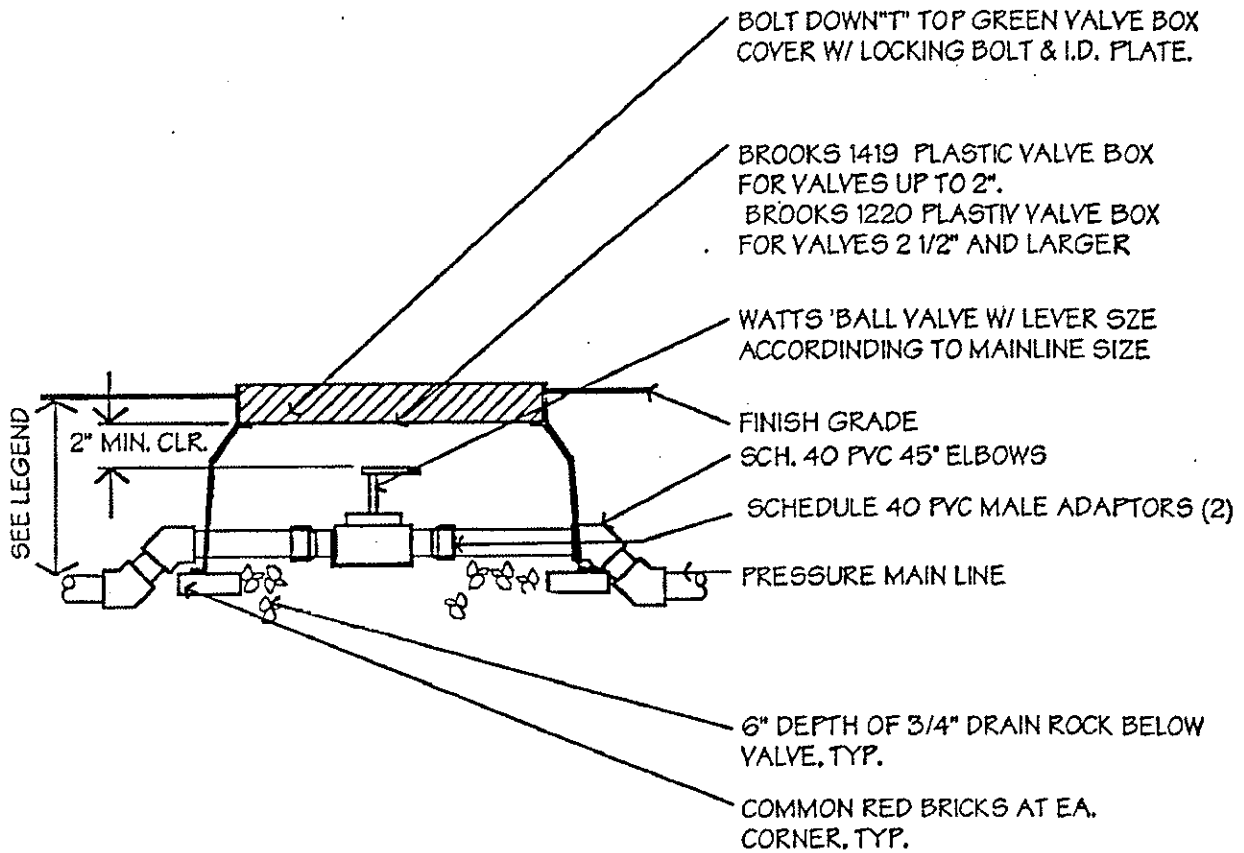
WIRING

1. DISCONNECT VALVE COMMON FROM CONTROLLER AND CONNECT TO GREEN WIRE ON RAIN GUARD.
2. CONNECT YELLOW WIRE ON RAIN GUARD TO THE VALVE COMMON POST ON CONTROLLER.
3. CONNECT RED WIRE FROM RAIN GUARD TO 24-30 VOLT A.C. POWER SOURCE POST ON CONTROLLER. THIS IS USUALLY LABELED "MASTER VALVE", "PUMP START" OR "24 V.A.C.".

LOCATION:

RAIN GUARD MUST BE INSTALLED IN CLEAR "SPACE" WHERE IT IS EXPOSED TO UNOBSTRUCTED RAINFALL AND IS CLEAR OF IRRIGATION SPRAY.

<b>CITY OF ROHNERT PARK</b>	
<b>RAIN SHUT-OFF DEVICE INSTALLATION</b>	
SCALE: NONE	DATE: JANUARY 2006
Approved: 	STD. - 108



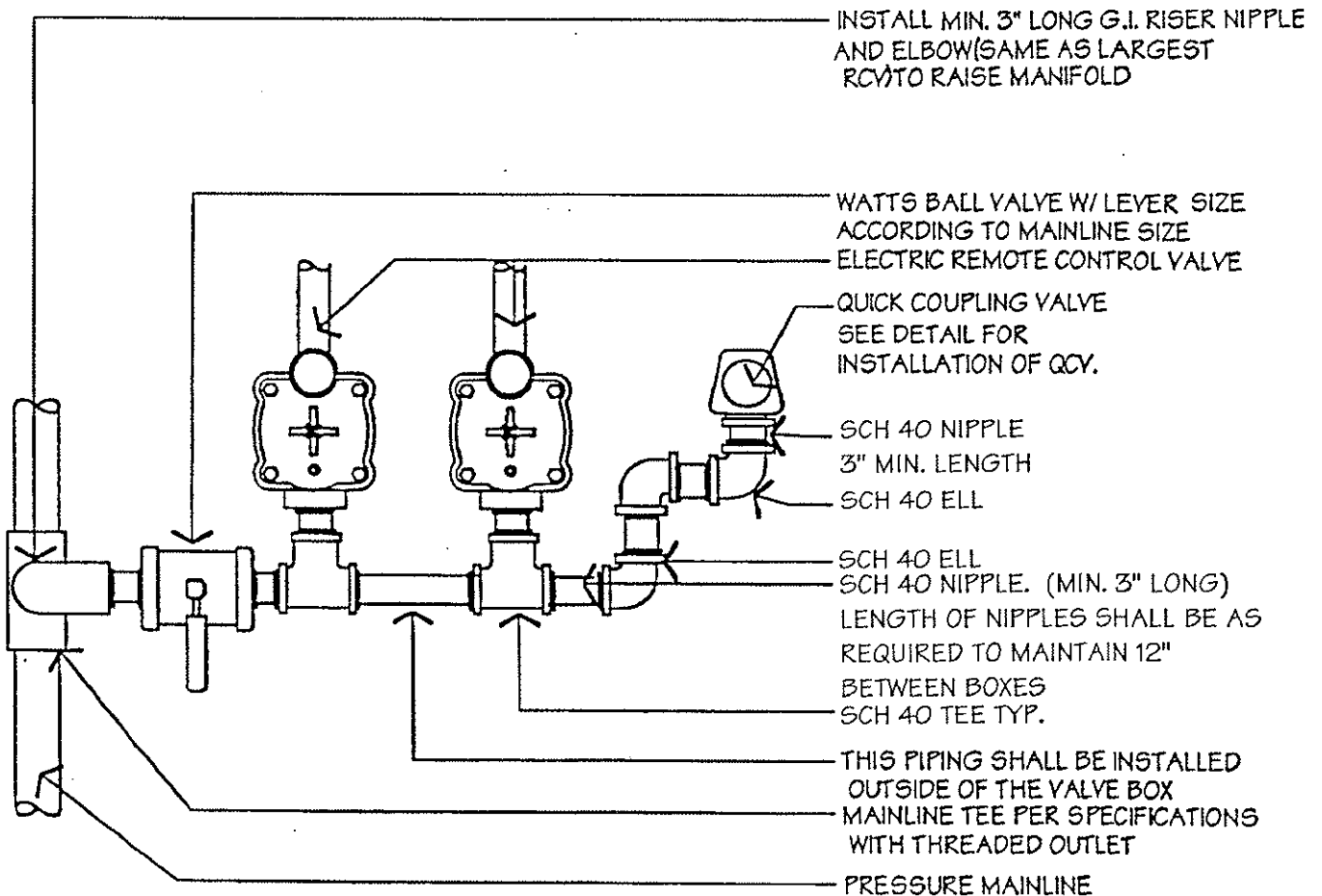
NOTES:

1. ALL CONNECTIONS MADE UP WITH "RECTORSEAL" #100 NON-HARDENING TEFLON PASTE.
2. ONE BALL VALVE PER VALVE OR VALVE MANIFOLD.
3. DO NOT ALLOW SOIL TO COME IN CONTACT WITH VALVE.
4. DO NOT ALLOW VALVE BOX TO REST ON PIPING.
5. SET BOX 2" ABOVE FINISH GRADE IN MULCH AREAS AND 1" ABOVE SOIL IN TURF AREAS.

<b>CITY OF ROHNERT PARK</b>	
<b>BALL VALVE DETAIL</b>	
SCALE: NONE	DATE: JANUARY 2006
Approved: <i>Dampfelin</i>	STD. - 109

NOTES:

1. ALL CONNECTIONS MADE UP WITH "RECTORSEAL" #100 NON-HARDENING TEFLON PASTE.
2. ONE BALL VALVE PER VALVE OR VALVE MANIFOLD.
3. DO NOT ALLOW SOIL TO COME IN CONTACT WITH VALVE.
4. EACH VALVE SHALL BE LOCATED IN A SEPARATE BOX.
5. THIS IS AN EXAMPLE OF THE LAYOUT OF THE MANIFOLD. EACH MANIFOLD REQUIRES A BALL VALVE AND QUICK COUPLER VALVE. THE NUMBER OF REMOTE VALVES MAY VARY.
6. NIPPLES TO BE PRIMED AND WRAPPED WITH 10 MIL TAPE.



INSTALL MIN. 3" LONG G.I. RISER NIPPLE AND ELBOW(SAME AS LARGEST RCV) TO RAISE MANIFOLD

WATTS BALL VALVE W/ LEVER SIZE ACCORDING TO MAINLINE SIZE  
ELECTRIC REMOTE CONTROL VALVE

QUICK COUPLING VALVE  
SEE DETAIL FOR INSTALLATION OF QCV.

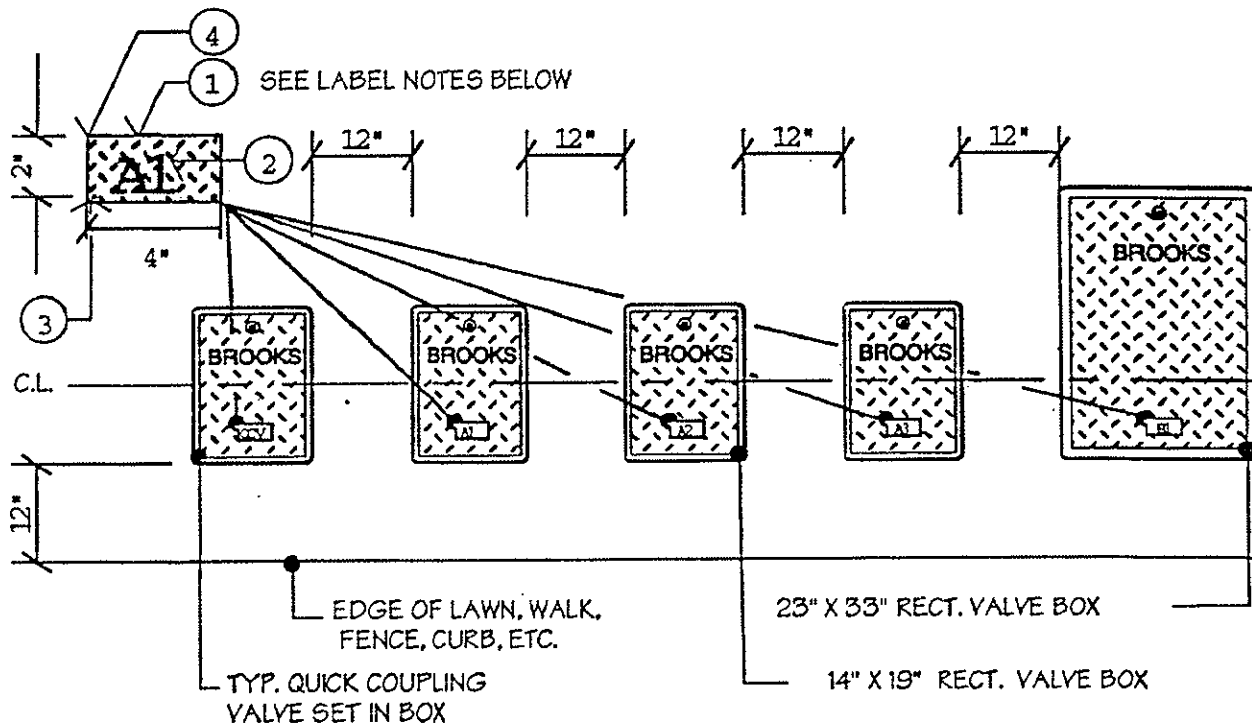
SCH 40 NIPPLE  
3" MIN. LENGTH  
SCH 40 ELL

SCH 40 ELL  
SCH 40 NIPPLE. (MIN. 3" LONG)  
LENGTH OF NIPPLES SHALL BE AS REQUIRED TO MAINTAIN 12" BETWEEN BOXES  
SCH 40 TEE TYP.

THIS PIPING SHALL BE INSTALLED OUTSIDE OF THE VALVE BOX  
MAINLINE TEE PER SPECIFICATIONS WITH THREADED OUTLET

PRESSURE MAINLINE

<b>CITY OF ROHNERT PARK</b>	
VALVE MANIFOLD DETAIL	
SCALE: NONE	DATE: JANUARY 2006
Approved: <i>Damian...</i>	STD. - 110



**VALVE BOX NOTES:**

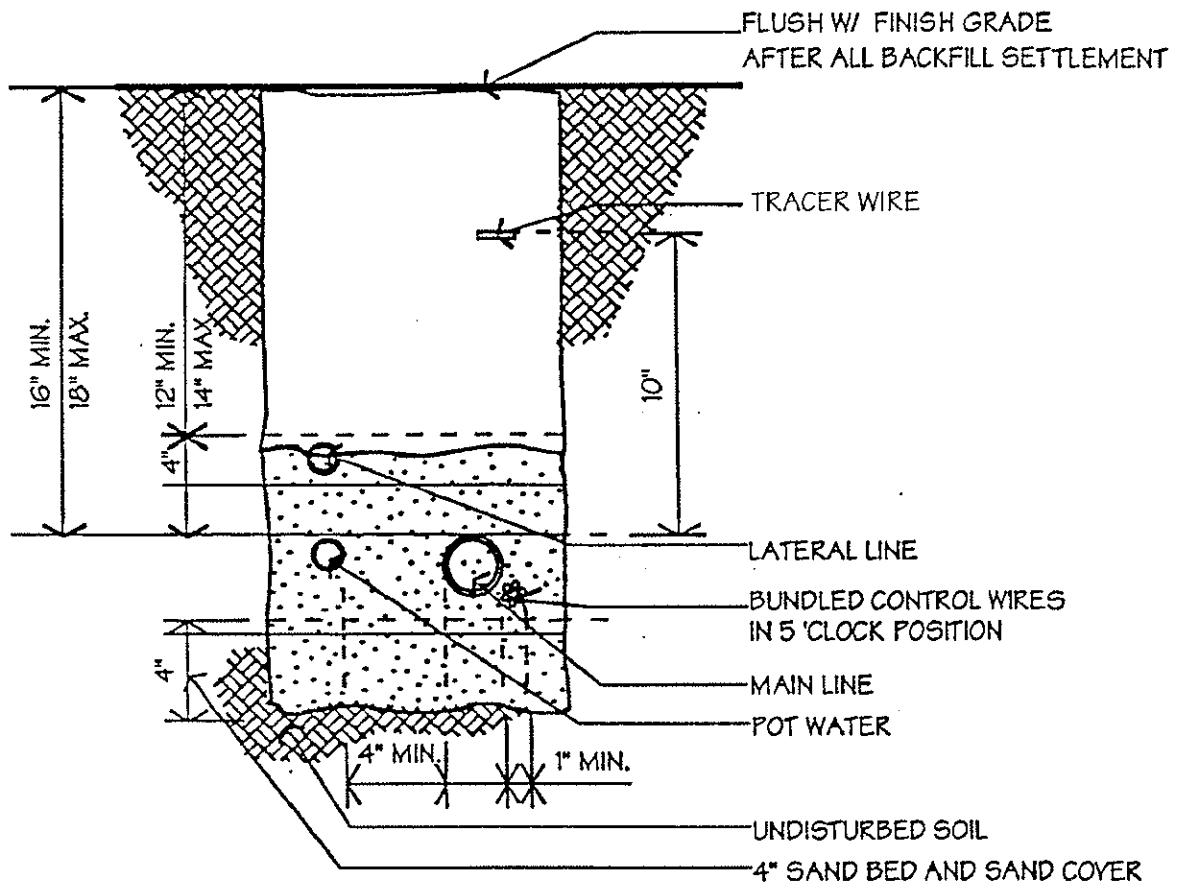
1. CENTER VALVE BOX OVER REMOTE CONTROL VALVE TO FACILITATE SERVICING VALVE.
2. SET BOXES 1" ABOVE FINISH GRADE OR MULCH COVER IN GROUND COVER/SHRUB AREA AND FLUSH WITH FINISH GRADE IN TURF AREA.
3. SET RCV AND VALVE BOX ASSEMBLY IN GROUND COVER/SHRUB AREA WHERE POSSIBLE. INSTALL IN LAWN ONLY IF GROUND COVER DOES NOT EXIST ADJACENT TO LAWN.
4. SET BOXES PARALLEL TO EACH OTHER AND PERPENDICULAR TO EDGE.
5. AVOID HEAVILY COMPACTING SOIL AROUND VALVE BOXES TO PREVENT COLLAPSE AND DEFORMATION OF VALVE BOX SIDES.

**VALVE LABEL NOTES:**

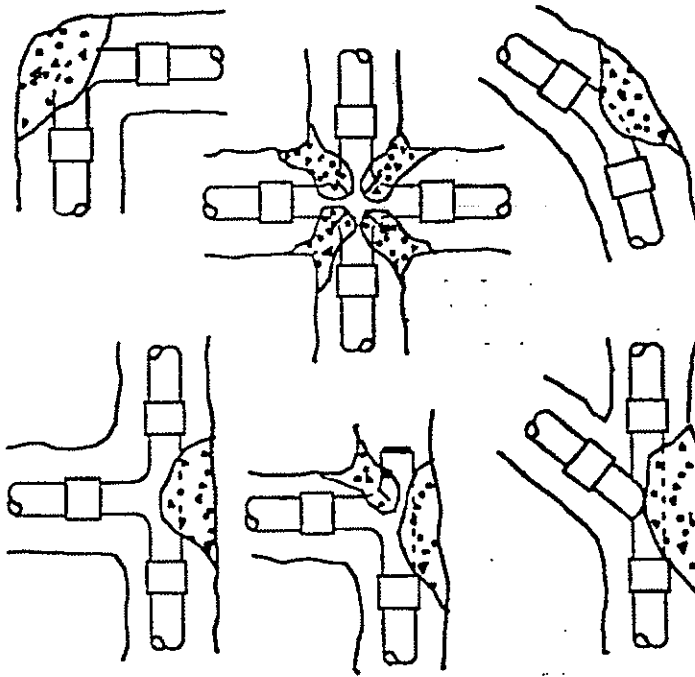
1. VALVE LABEL SHALL BE .08" THICK ALUMINUM PLATE WITH STAMPED LETTERS AND NUMBERS TO CORRESPOND TO EACH IRRIGATION VALVE, QUICK COUPLER, ETC.
2. LETTERS SHALL BE 1 1/2" HIGH HELVETIC
2. ATTACH 3/16" POP RIVETS THRU LABEL & VALVE BOX AT EA. OF THE 4 CORNERS OF LABEL.
3. CORNERS TO HAVE 1/4" RADIUS AND ALL SIDES TO HAVE SMOOTH EDGES.
4. ALL BOXES SHALL BE LABELED INCLUDING QUICK COUPLERS AND BALL VALVES.

CITY OF ROHNERT PARK	
VALVE BOX INSTALLATION	
SCALE: NONE	DATE: JANUARY 2006
Approved: <i>Dennis Johnson</i>	STD. - 111





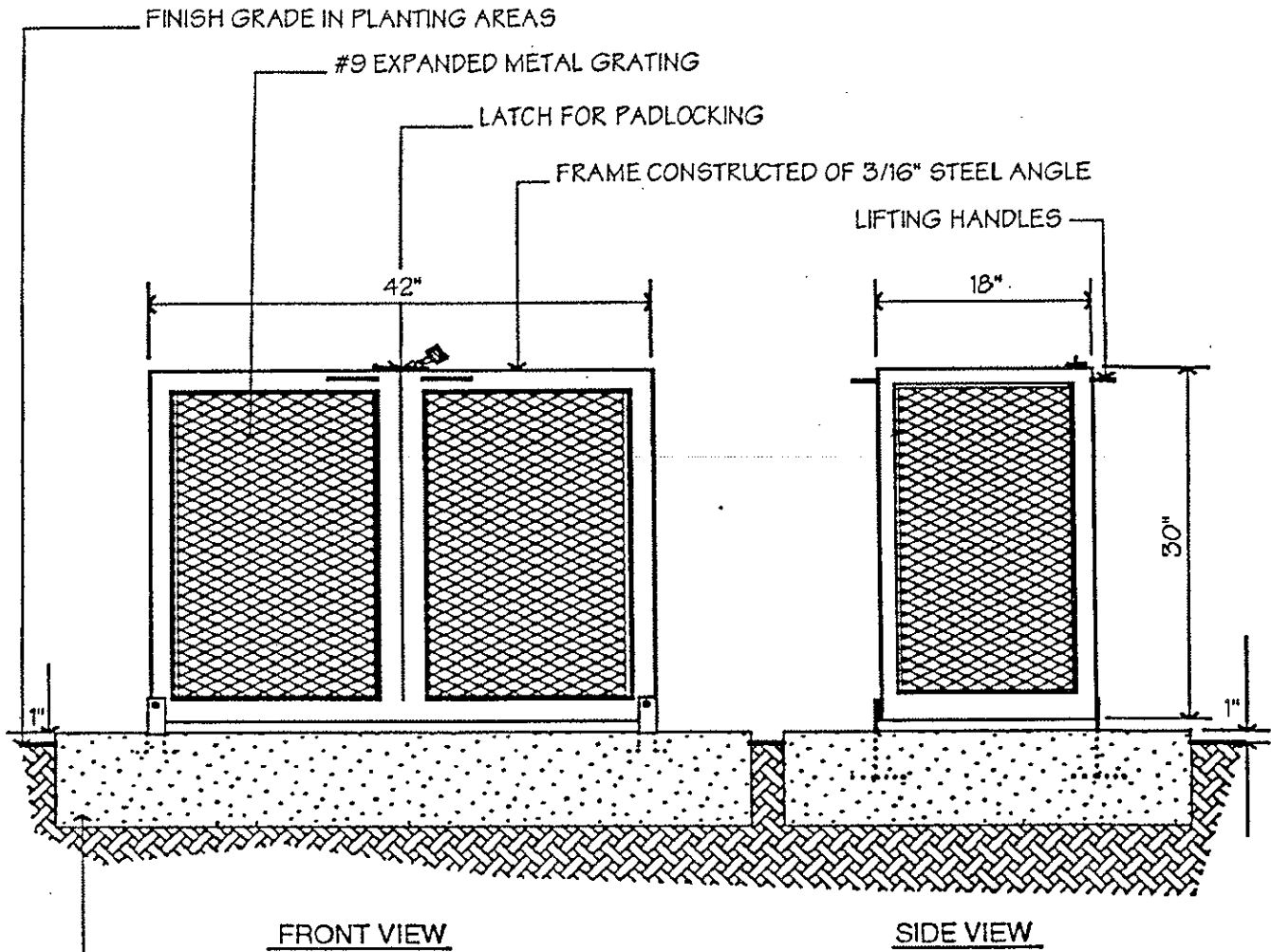
<b>CITY OF ROHNERT PARK</b>	
TRENCH AND PIPE DETAIL	
SCALE: NONE	DATE: JANUARY 2006
Approved: <i>David Martin</i>	STD. - 112



NOTES:

INSTALL MAIN LINE AS PER MANUFACTURER'S  
 INSTALLATION GUIDE. SIZE OF CONCRETE THRUST  
 BLOCKS SHALL BE PER PIPE MANUFACTURER'S  
 INSTALLATION GUIDE AND IN ACCORDANCE WITH  
 CITY STANDARD 854.

<b>CITY OF ROHNERT PARK</b>			
IRRIGATION THRUST BLOCK DETAIL			
SCALE:	NONE	DATE:	JANUARY 2008
Approved:	<i>Dennis Johnson</i>		STD. - 113



FRONT VIEW

SIDE VIEW

8" THICK CONCRETE PAD TO EXTEND  
8" BEYOND ENCLOSURE ON ALL SIDES

IRRIGATION CONTRACTOR TO PROVIDE  
ENCLOSURE FOR BACKFLOW ASSEMBLY.  
LEMEUR WELDING AND MFG. MOD. #BF 18" X 42"  
X 30" HIGH. CONTACT (714) 822-5100 FOR  
COORDINATION. PAINT COLORS: DARK FOREST  
GREEN ENAMEL, 2 COATS, SPRAYED. SUBMIT  
PAINT SAMPLE AND APPLICATION FOR  
APPROVAL PRIOR TO PAINTING.

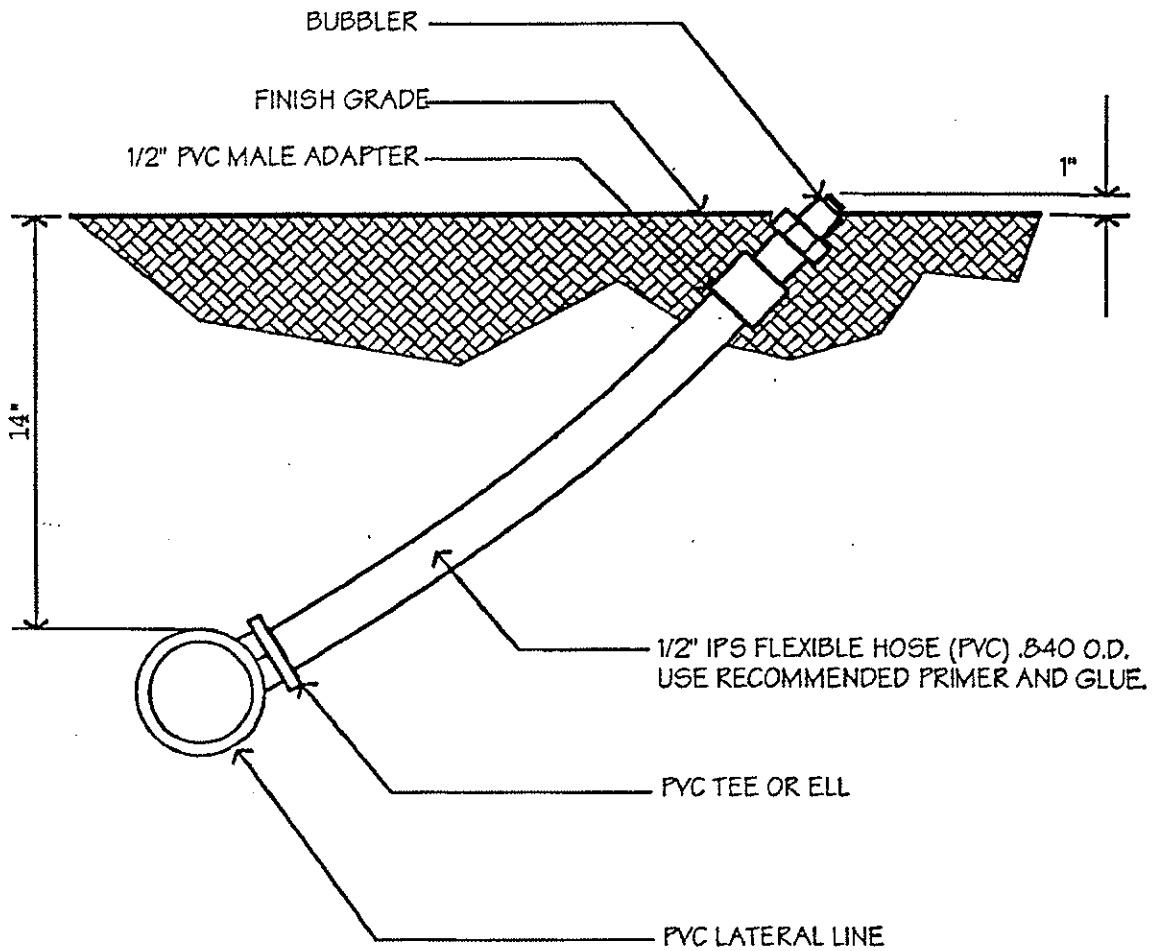
**CITY OF ROHNERT PARK**

**BACKFLOW PREVENTOR ENCLOSURE**

SCALE: NONE      DATE: JANUARY 2006

Approved: *Dan...*

STD. - 114



CITY OF ROHNERT PARK

BUBBLER DETAIL

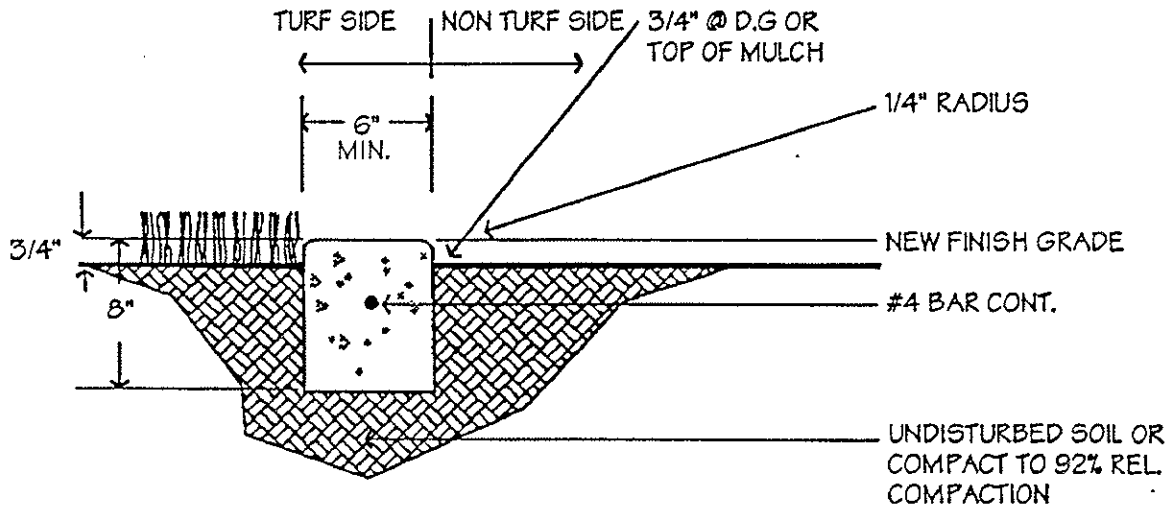
SCALE: NONE      DATE: JANUARY 2006

Approved: *Damian...*

STD. - 115

NOTES:

1. ALL FORMS SHALL BE APPROVED BY CITY INSPECTOR PRIOR TO POURING ANY CONCRETE.
2. INSTALL 1/4" EXP JOINTS AT 50' MAX. & 3/8" SCORE LINES AT 5' MAX..  
CONCRETE TO HAVE LIGHT BROOM FINISH.



<b>CITY OF ROHNERT PARK</b>	
CONCRETE MOW BAND	
SCALE: NONE	DATE: JANUARY 2006
Approved: <i>Damian...</i>	STD. - 120